



VPM-Series

- II Power Range: 25VA to 10KVA
- II Primary: 100, 120, 208, 220 or 240VAC, 50/60Hz
- II Secondary: Dual for parallel or series connection
- II Insulation Class: Class F, 155°C
- II Dielectric Isolation (Pri to Sec): 4KV for 60 secs.
- II Low leakage current and low stray fields



Electrical Specifications (@20C):

Triad P/N	VA	Secondary		Regulation	O.D. (mm)	Height (mm)	Weight (kg)	Temp rise deg (C)
		Series	Parallel					
VPM12-2080	25	12V CT @ 2.08A	6.0V @ 4.16A	10.5%	84	37	0.5	25
VPM18-1390	25	18V CT @ 1.39A	9.0V @ 2.78A	10.3%	84	37	0.5	25
VPM24-1040	25	24V CT @ 1.04A	12V @ 2.08A	10.3%	84	37	0.5	25
VPM30-830	25	30V CT @ 0.83A	15V @ 1.66A	10.3%	84	37	0.5	25
VPM36-690	25	36V CT @ 0.69A	18V @ 1.38A	11.1%	84	37	0.5	25
VPM48-520	25	48V CT @ 0.52A	24V @ 1.04A	10.6%	84	37	0.5	25
VPM240-100	25	240V CT @ 0.104A	120V @ .208A	10.7%	84	37	0.5	25
VPM12-4170	50	12V CT @ 4.17A	6.0V @ 8.34A	11.4%	92	38	0.7	45
VPM18-2780	50	18V CT @ 2.78A	9.0V @ 5.56A	12.3%	92	38	0.7	45
VPM24-2080	50	24V CT @ 2.08A	12V @ 4.16A	11.7%	92	38	0.7	45
VPM30-1670	50	30V CT @ 1.67A	15V @ 3.34A	11.8%	92	38	0.7	45
VPM36-1390	50	36V CT @ 1.39A	18V @ 2.78A	11.5%	92	38	0.7	45
VPM48-1040	50	48V CT @ 1.04A	24V @ 2.08A	11.5%	92	38	0.7	45
VPM240-210	50	240V CT @ 0.21A	120V @ 0.42A	12.0%	92	38	0.7	45
VPM12-8330	100	12V CT @ 8.33A	6.0V @ 16.66A	8.9%	96	52	1.2	50
VPM18-5560	100	18V CT @ 5.56A	9.0V @ 11.12A	8.7%	96	52	1.2	50
VPM24-4170	100	24V CT @ 4.17A	12V @ 8.34A	8.9%	96	52	1.2	50
VPM30-3330	100	30V CT @ 3.33A	15V @ 6.66A	8.5%	96	52	1.2	50
VPM36-2780	100	36V CT @ 2.78A	18V @ 5.56A	8.7%	96	52	1.2	50
VPM48-2080	100	48V CT @ 2.08A	24V @ 4.16A	8.9%	96	52	1.2	50
VPM240-420	100	240V CT @ 0.42A	120V @ 0.84A	8.4%	96	52	1.3	50
VPM12-13300	160	12V CT @ 13.3A	6.0V @ 26.6A	7.6%	113	52	1.8	50
VPM18-8800	160	18V CT @ 8.8A	9.0V @ 17.60A	7.7%	113	52	1.8	50
VPM24-6670	160	24V CT @ 6.67A	12V @ 13.34A	7.5%	113	52	1.8	50
VPM30-5330	160	30V CT @ 5.33A	15V @ 10.66A	7.9%	113	52	1.8	50
VPM36-4440	160	36V CT @ 4.44A	18V @ 8.88A	7.1%	113	52	1.9	50

Web: www.TriadMagnetics.com
 Phone 951-277-0757
 Fax 951-277-2757

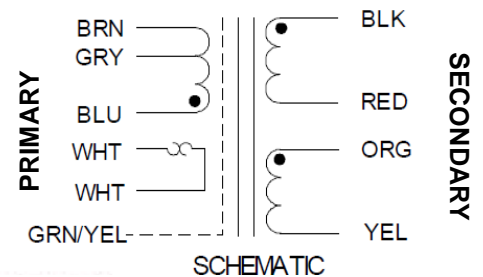
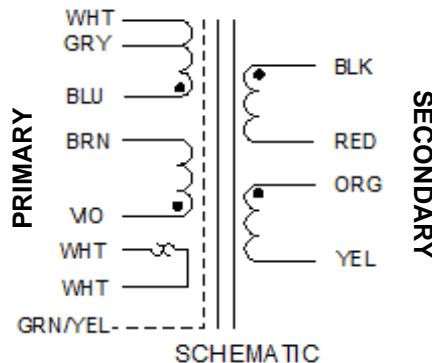
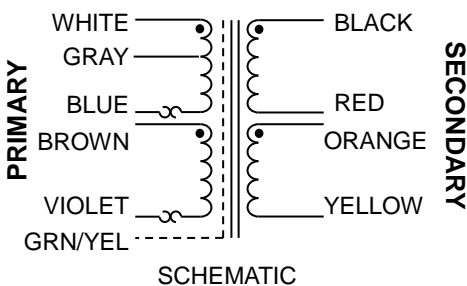
460 Harley Knox Blvd.
 Perris, California 92571

Publish Date: June 3, 2019



Triad P/N	VA	Secondary		Regulation	O.D. (mm)	Height (mm)	Weight (kg)	Temp rise deg (C)
		Series	Parallel					
VPM48-3300	160	48V CT @ 3.33A	24V @ 6.66A	7.5%	113	52	1.8	50
VPM240-670	160	240V CT @ 0.67A	120V @ 1.33A	7.4%	113	52	1.8	50
VPM12-20800	250	12V CT @ 20.8A	6.0V @ 41.60A	6.2%	123	60	2.5	55
VPM18-13800	250	18V CT @ 13.8A	9.0V @ 27.60A	6.2%	123	60	2.5	55
VPM24-10420	250	24V CT @ 10.42A	12V @ 20.84A	6.2%	123	60	2.5	55
VPM36-6940	250	36V CT @ 6.94A	18V @ 13.88A	6.2%	123	60	2.5	55
VPM48-5200	250	48V CT @ 5.20A	24V @ 10.4A	6.2%	123	60	2.5	55
VPM240-1040	250	240V CT @ 1.04A	120V @ 2.08A	5.9%	123	60	2.5	55
VPM48-10400	500	48V CT @ 10.4A	24V @ 20.8A	4.4%	147	64	4.5	50
VPM100-5000	500	100V CT @ 5.0A	50V @ 10.0A	4.2%	147	64	4.6	50
VPM240-2080	500	230V CT @ 2.17A	115V @ 4.34A	5.0%	140	60	4.2	50
VPM48-20830	1000	48V CT @ 20.83A	24V @ 41.66A	3.0%	183	74	8.5	50
VPM100-10000	1000	100V CT @ 10.0A	50V @ 20.0A	3.1%	183	74	8.5	50
VPM240-4170	1000	240V CT @ 4.17A	120V @ 8.34A	3.0%	183	74	8.5	50
VPM100-25000	2500	100V CT @ 25.0A	50V @ 50.0A	1.9%	215	120	20	55
VPM240-10400	2500	240V CT @ 10.40A	120V @ 21.80A	1.7%	215	120	21	55
VPM240-12500	3000	240V CT @ 12.50A	120V @ 25.0A	1.5%	222	130	25	50
VPM240-15600	3750	240V CT @ 15.60A	120V @ 31.20A	1.4%	235	140	30	50
VPM240-20800	5000	240V CT @ 20.80A	120V @ 41.60A	1.4%	277	140	41	50
VPM240-28100	6750	240V CT @ 28.10A	120V @ 56.20A	0.9%	310	140	55	45
VPM240-31200	7500	240V CT @ 31.20A	120V @ 62.40A	0.9%	330	140	62	45
VPM240-36400	8750	240V CT @ 36.40A	120V @ 72.80A	0.9%	335	140	74	45
VPM240-41600	10000	240V CT @ 41.60A	120V @ 83.20A	0.7%	416	140	91	45

Schematic:



Custom designs available.

RoHS Compliance: As of manufacturing date February 2016, all standard products meet the requirements of 2015/863/EU, known as the RoHS 3 initiative.

* Upon printing, this document is considered "uncontrolled". Please contact Triad Magnetics' website for the most current version.