

C-60U

Description:

Smoothing chokes are power supply filter chokes having a core with an air gap which prevents saturation at maximum current. Hipot to 1500 VRMS between winding and core for safety.

Electrical Specifications (@25C):

Current DC Amps	Inductance †† Henries	Resistance Ohms
22.5	0.005	0.06

†† = Inductance tolerance -20%, + 50 %

Dimensions:

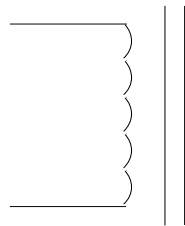
Unit: In inches

A	B	C	D	E
3.750	4.50	4.187	3.750	3.50

Weight: 12.75 lbs.

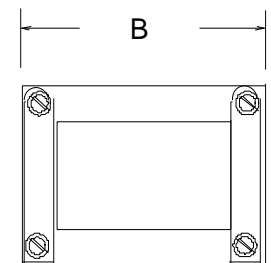
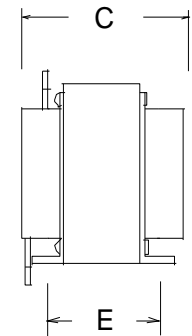
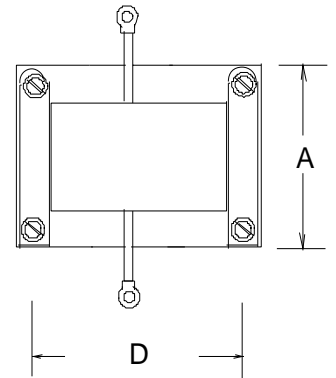
Operating Temp: -40° to +85°C

Schematic:



RoHS Compliance: As of manufacturing date February 2016, all standard products meet the requirements of 2015/863/EU, known as the RoHS 3 initiative.

* Upon printing, this document is considered "uncontrolled". Please contact Triad Magnetics' website for the most current version.



13/64 X 5/16 4 SLOTS.