

OUTLINE

Slim type.
Self shielded.
Height: 4.0mm Max.
Low resistance.
Excellent DC current characteristics.

APPLICATIONS

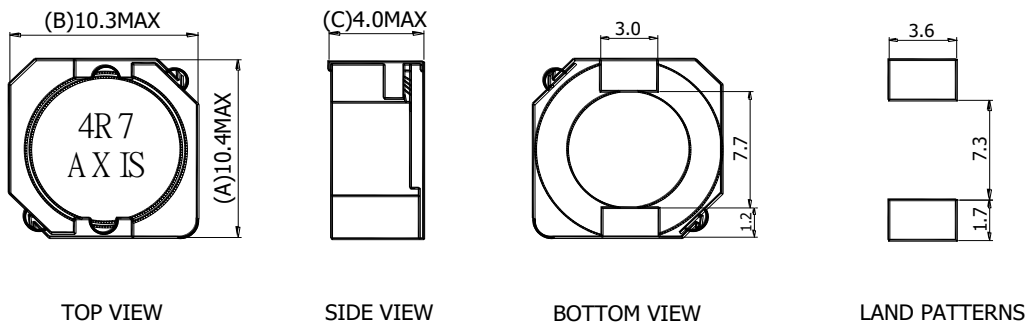
Laptop and Notebook computers and PDAs.
DC/DC converters.
Portable communication equipment.
Inductor for general purpose use.

Model	Inductance ⁽¹⁾ uH	Rated DC ⁽²⁾ Current Amps	DC resistance ⁽³⁾ Ω Max
AX104R-1R5	1.5	6.5	8.1m
AX104R-2R2	2.2	6.1	10m
AX104R-3R3	3.3	5.5	13m
AX104R-4R7	4.7	6.0	13m
AX104R-6R8	6.8	4.8	19.5m
AX104R-8R2	8.2	4.6	25m
AX104R-100	10.0	4.4	35m
AX104R-150	15.0	3.6	50m

Model	Inductance ⁽¹⁾ uH	Rated DC ⁽²⁾ Current Amps	DC resistance ⁽³⁾ Ω Max
AX104R-220	22.0	2.9	73m
AX104R-330	33.0	2.3	93m
AX104R-470	47.0	2.1	128m
AX104R-680	68.0	1.50	213m
AX104R-101	100	1.35	304m
AX104R-151	150	1.15	506m
AX104R-221	220	0.92	756m
AX104R-331	330	0.70	1.09

- Notes:**
1. Inductance measured at 100kHz 1.0v without DC current. Tolerance: ±30%(N).
 2. Rated current is the approximate current at which inductance will be decreased by 35% from its initial (zero DC) value.
 3. DC Resistance measured at 20°C.
 4. Storage Temp: -40 to 125°C
 5. Operating Temp: -40 to 85°C

Mechanicals Dimensions=inches/mm



RoHS Compliance: As of manufacturing date February 2016, all standard products meet the requirements of 2015/863/EU, known as the RoHS 3 initiative

* Upon printing, this document is considered "uncontrolled". Please contact Triad Magnetics' website for the most current version

Web: www.TriadMagnetics.com
Phone 951-277-0757
Fax 951-277-2757

460 Harley Knox Blvd.
Perris, California 92571

Publish Date: May 29, 2019