

### A-67J

#### Description:

Triad's **A-67J** Interstage audio transformer provides the durability and precision required in today's demanding designs. **Mu-Metal case** construction for magnetic field immunity and 60 to 80 dB Hum reduction. Low level **High Fidelity** with excellent Unwanted **Noise reduction**. Uses include Inter-stage coupling as well as impedance matching of amplifiers in order to achieve maximum power transfer.

#### Electrical Specifications (@25C)

| Power level (mW) | Inductance (H) pri | Impedance  |            | DCR (Ω) |     | Turns Ratio | DWV  |
|------------------|--------------------|------------|------------|---------|-----|-------------|------|
|                  |                    | Pri        | Sec        | Pri     | Sec |             |      |
| 50               | 1.76 Min           | 150<br>600 | 150<br>600 | 35      | 42  | 1:1:2       | 500V |

| PARAMETER                       | CONDITIONS   | TYPICAL      |
|---------------------------------|--|--------------|
| Operating Frequency             |  | 20Hz – 20kHz |
| Gain                            | 1kHz, $R_s = 600\Omega$ $R_L = 600\Omega$                          | - 8.5 dB     |
| Distortion (THD+N%)             | 1kHz, +12dBu Input, $R_s = 600\Omega$ $R_L = 600\Omega$            | 0.013%       |
|                                 | 1kHz, +4dBu Input, $R_s = 600\Omega$ $R_L = 600\Omega$             | 0.018%       |
|                                 | 1kHz, 0dBu Input, $R_s = 600\Omega$ $R_L = 600\Omega$              | 0.023%       |
| Max input level (30Hz)          | 1% THD + N%, $R_s=600\Omega$ , $R_L = 600\Omega$                   | 16 dBu       |
| Frequency response (1 kHz Ref.) | 20 Hz, $R_S=600\Omega$ , $R_L=600\Omega$                           | - 0.2 dB     |
|                                 | 20kHz, $R_S=600\Omega$ , $R_L=600\Omega$                           | - 0.61 dB    |
| Phase Shift @ 20Hz              | Reference to source generator $R_s= 600\Omega$ , $R_L = 600\Omega$ | +3.3°        |
| Phase shift @ 20kHz             |  | - .07°       |
| CMRR                            | 60 Hz  | 86 dB        |
|                                 | 1 kHz  | 86 dB        |
| Temperature Rating              | Operation & Storage  | 0°C to 70°C  |

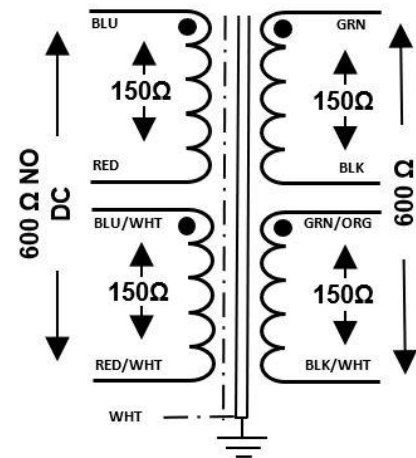
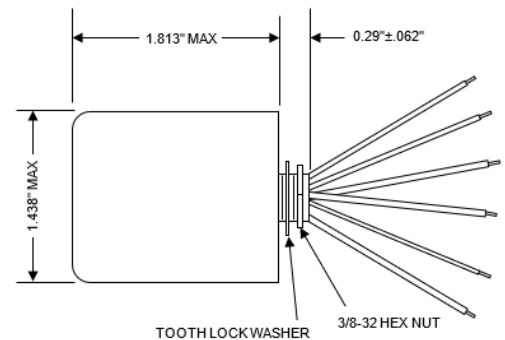
RoHS Compliance: As of manufacturing date February 2005, all standard products meet the requirements of 2011/65/EU, known as the RoHS initiative.

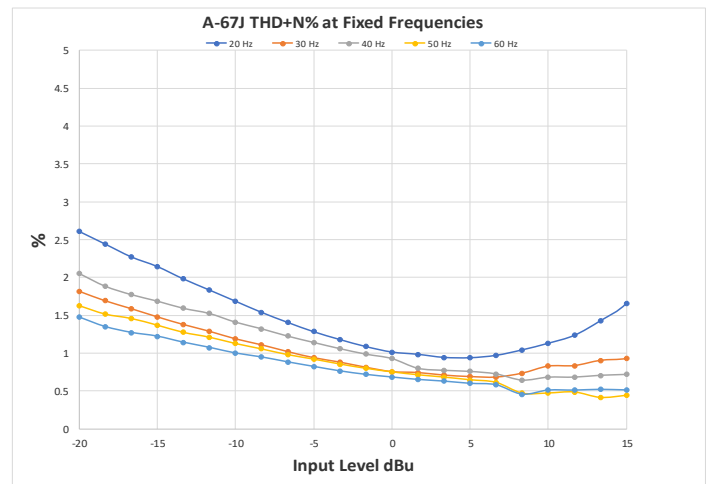
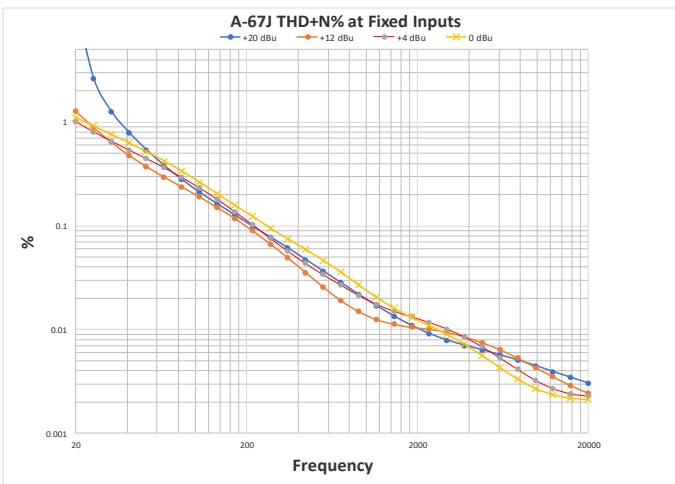
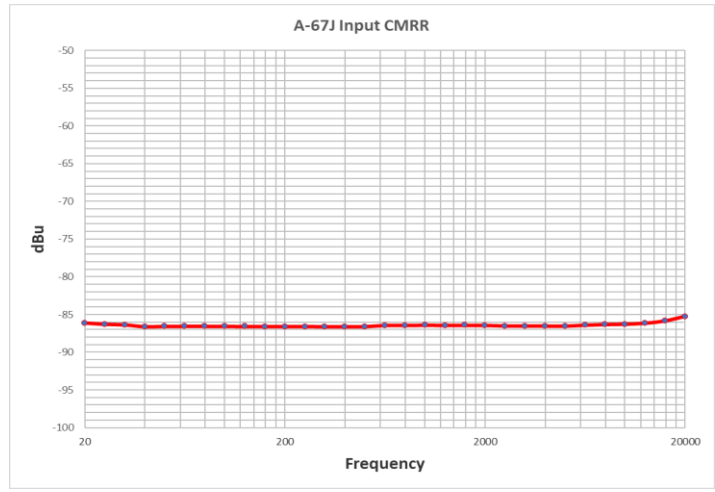
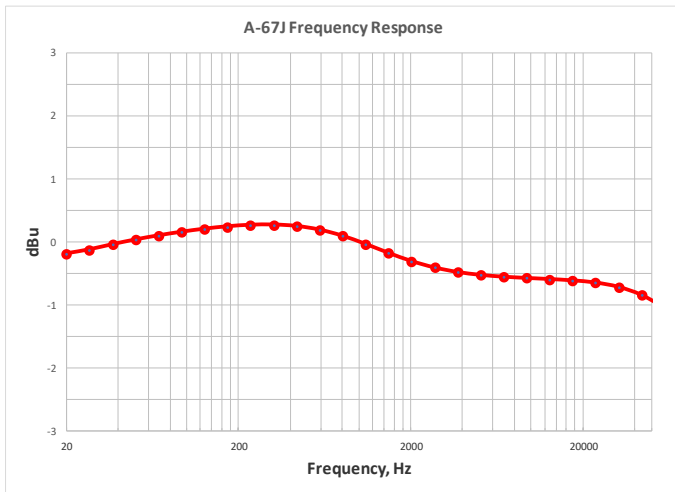
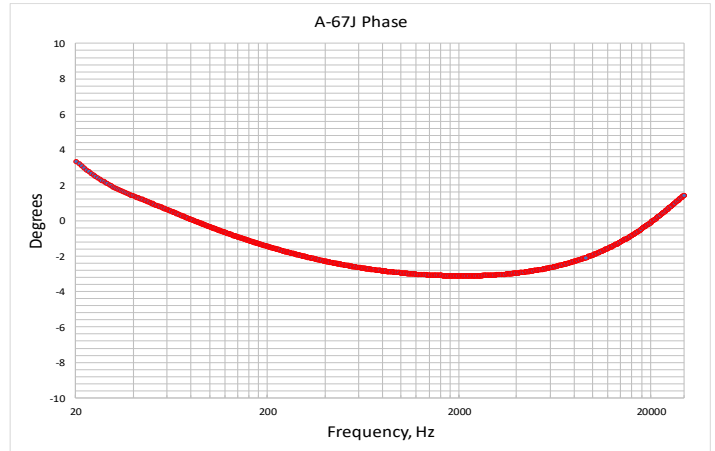
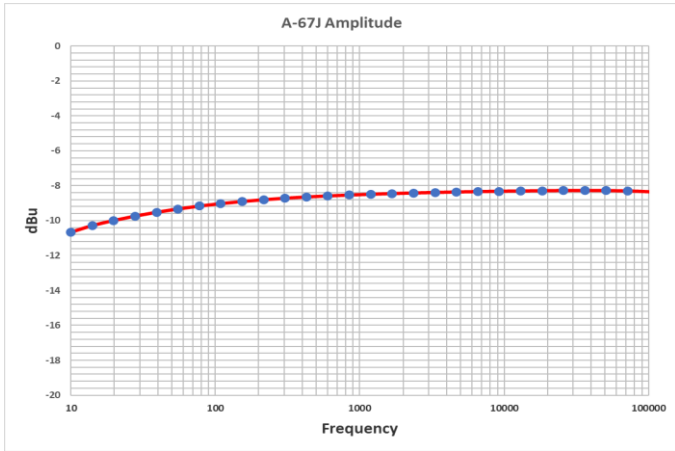
\*Upon printing, this document is considered "uncontrolled". Please contact Triad Magnetics for the most current version.



For illustration purpose only

ALL LEADS = 6.0" Min.





NOTE: Graph data was taken on a random sample using an Audio Precision Model APX555 Audio Analyze.