

A-57J

Description:

Triad's A-57J Line to Line audio transformer provides the durability and precision required in today's demanding designs. **Mu-Metal case** construction for magnetic field immunity and 60 to 80 dB Hum reduction. Low level **High Fidelity** with excellent Unwanted **Noise reduction**. Uses include line to line and Inter-stage coupling as well as impedance matching of amplifiers to achieve maximum power transfer.

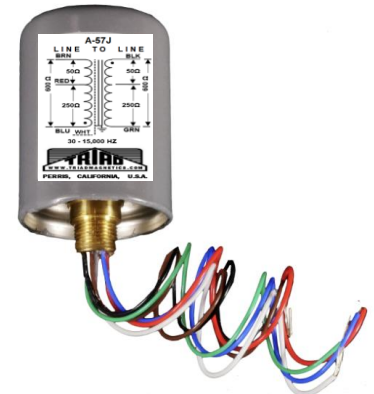
Electrical Specifications (@25C)

Power level (mW)	Inductance (H) pri	Impedance		DCR (Ω)		Turns Ratio	DWV
		Pri	Sec	Pri	Sec		
50	1.76 Min	150	150	14.1	16.8	1:1	500V
		600	600	39.4	46.9		

PARAMETER	CONDITIONS	TYPICAL
Frequency Range		30 Hz – 15KHZ
Gain	1kHz, Rs = 600 Ω RL = 600Ω (0 dBu input)	-1.28 dB
Distortion (THD+N%)	1kHz, +20dBu input, Rs = 600Ω RL = 600Ω	0.004%
	1kHz, +10dBu input, Rs = 600Ω RL = 600Ω	0.003%
	1kHz, +0dBu input, Rs = 600Ω RL = 600Ω	0.002%
Max input level (60Hz)	1% THD + N%, Rs=600Ω, RL = 600Ω	+24dBu
Frequency response (1 kHz Ref.)	20 Hz, RS=600Ω, RL=600Ω	-0.153dB
	20kHz, RS=600Ω, RL=600Ω	-1.25 dB
Phase Shift @ 20Hz	Reference to source generator Rs= 600Ω, RL = 600Ω	+4.3°
Phase shift @ 20kHz		+1°
CMRR	60 Hz	113 dB
	1 kHz	90 dB
Temperature Rating	Operation & Storage	0°C to 70°C

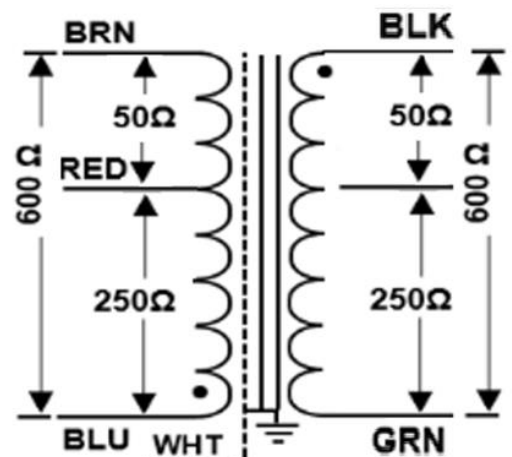
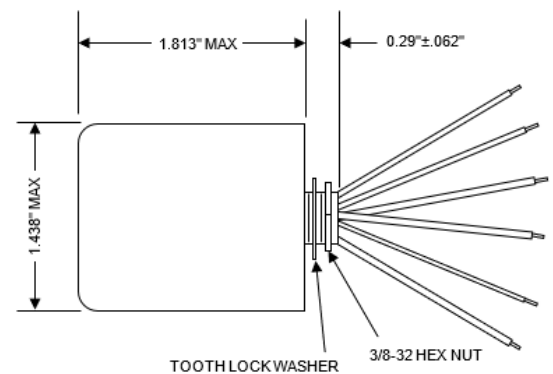
RoHS Compliance: As of manufacturing date February 2005, all standard products meet the requirements of 2011/65/EU, known as the RoHS initiative.

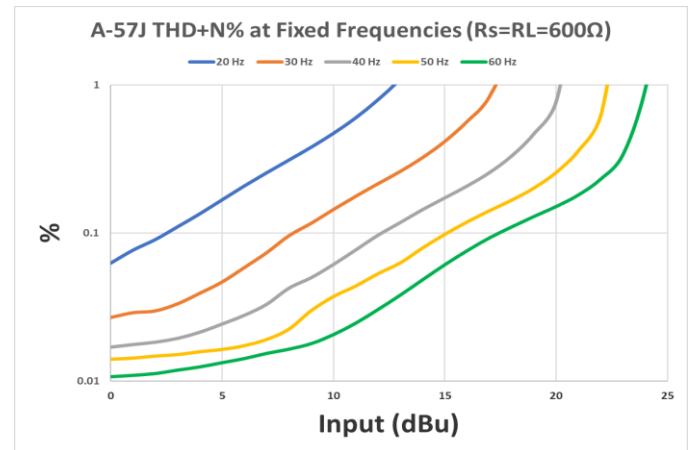
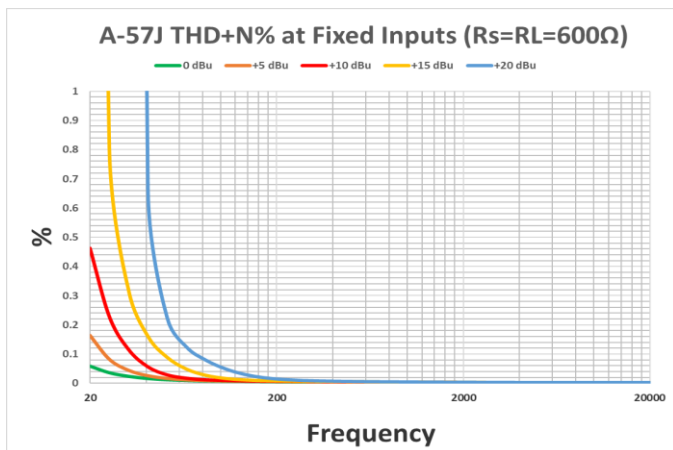
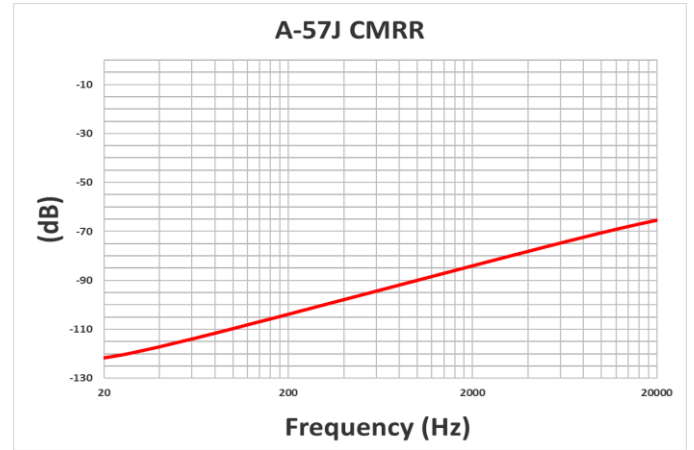
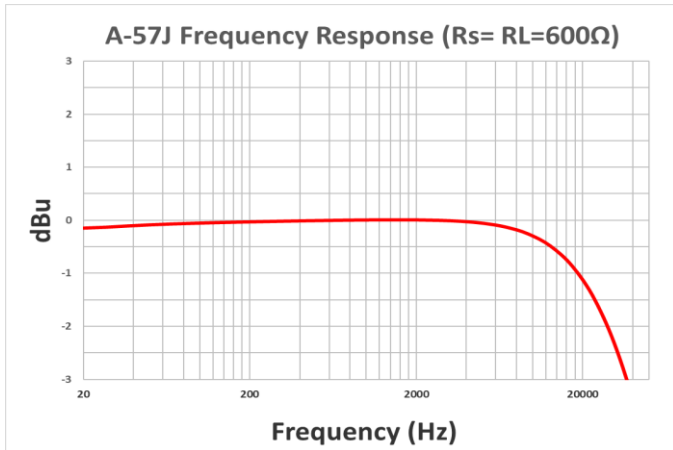
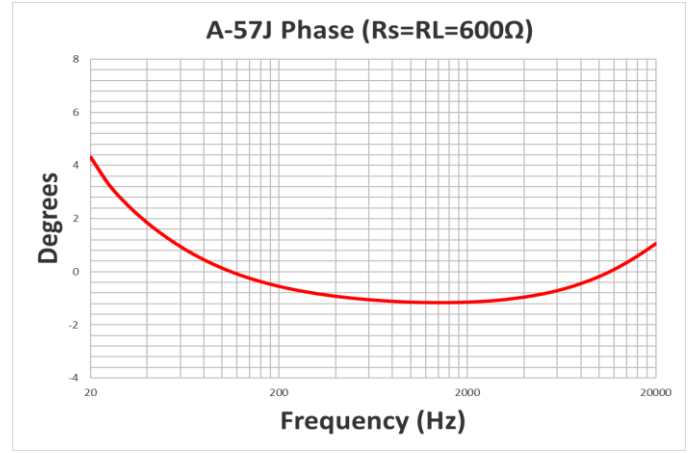
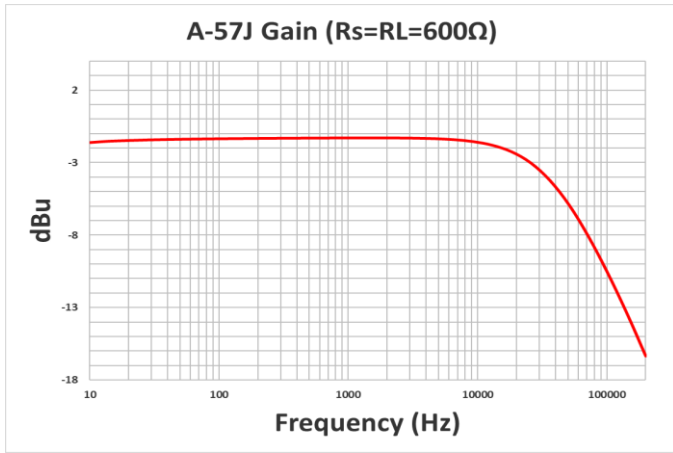
*Upon printing, this document is considered "uncontrolled". Please contact Triad Magnetics for the most current version.



For illustration purpose only

ALL LEADS = 6.0" Min.





NOTE: Graph data was taken on a random sample using an Audio Precision Model APX555 Audio Analyzer.