

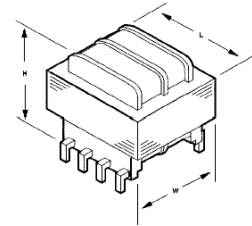
TRIAD

M A G N E T I C S

POWER TRANSFORMERS PC MOUNT

80232 Rev. A

DESCRIPTION : The TRIAD Split Pack bobbin transformer from Triad is an extremely versatile tool for PC board applications. Split Pack transformers are nonconcentrically wound - with primaries and secondaries side-by-side. Unlike the secondary-on-top-of-primary designs of standard PC board transformers, the split bobbin winding and low capacitive coupling eliminate costly electrostatic shielding. It is offered in a dual secondary configuration with either single of dual primaries. Input : 115VAC or 115v/230v 50/60Hz.



SPLIT PACK		CT = CENTER TAP		* 36 VA size has 4 mtg. holes on 2 3/16 X 1 3/4 Center Tap								
SINGLE PRI 6 PIN	DUAL PRI 8 PIN	VA	SECONDARY		DIMENSIONS							WT. OZ
			SERIES	PARALLEL	H	W	L	ML	A	B	C	
F10-110-C2	FS10-110-C2	1.1	10.0V CT @ 0.11A	5.0V @ 0.22A	15/16	1 1/8	1 3/8	-	0.25	0.25	1.20	0.17
F12-090-C2	FS12-090-C2		12.6V CT @ 0.09A	6.3V @ 0.18A								
F16-070-C2	FS16-070-C2		16.0V CT @ 0.07A	8.0V @ 0.14A								
F20-055-C2	FS20-055-C2		20.0V CT @ 0.055A	10.0V @ 0.11A								
F24-045-C2	FS24-045-C2		24.0V CT @ 0.045A	12.0V @ 0.09A								
F28-040-C2	FS28-040-C2		28.0V CT @ 0.04A	14.0V @ 0.08A								
F36-030-C2	FS36-030-C2		36.0V CT @ 0.03A	18.0V @ 0.06A								
F48-023-C2	FS48-023-C2		48.0V CT @ 0.023A	24.0V @ 0.046A								
F56-020-C2	FS56-020-C2		56.0V CT @ 0.02A	28.0V @ 0.04A								
F120-010-C2	FS120-01-C2		120.0V CT @ 0.01A	60.0V @ 0.02A								
F10-250-C2	FS10-250-C2	2.5	10.0V CT @ 0.25A	5.0V @ 0.5A	1 3/16	1 1/8	1 3/8	-	0.25	0.25	1.20	0.25
F12-200-C2	FS12-200-C2		12.6V CT @ 0.2A	6.3V @ 0.4A								
F16-150-C2	FS16-150-C2		16.0V CT @ 0.15A	8.0V @ 0.3A								
F20-120-C2	FS20-120-C2		20.0V CT @ 0.12A	10.0V @ 0.24A								
F24-100-C2	FS24-100-C2		24.0V CT @ 0.1A	12.0V @ 0.2A								
F28-85-C2	FS28-85-C2		28.0V CT @ 0.085A	14.0V @ 0.17A								
F36-65-C2	FS36-65-C2		36.0V CT @ 0.065A	18.0V @ 0.13A								
F48-050-C2	FS48-050-C2		48.0V CT @ 0.050A	24.0V @ 0.1A								
F56-045-C2	FS56-045-C2		56.0V CT @ 0.045A	28.0V @ 0.09A								
F120-020-C2	FS120-02-C2		120.0V CT @ 0.02A	60.0V @ 0.04A								
F10-600-C2	FS10-600-C2	6	10.0V CT @ 0.6A	5.0V @ 1.2A	1 5/16	1 5/16	1 5/8	1 1/16	0.25	0.35	1.280	0.44
F12-500-C2	FS12-500-C2		12.6V CT @ 0.5A	6.3V @ 1.0A								
F16-400-C2	FS16-400-C2		16.0V CT @ 0.4A	8.0V @ 0.8A								
F20-300-C2	FS20-300-C2		20.0V CT @ 0.3A	10.0V @ 0.6A								
F24-250-C2	FS24-250-C2		24.0V CT @ 0.25A	12.0V @ 0.5A								
F28-200-C2	FS28-200-C2		28.0V CT @ 0.2A	14.0V @ 0.4A								
F36-170-C2	FS36-170-C2		36.0V CT @ 0.17A	18.0V @ 0.34A								
F48-125-C2	FS48-125-C2		48.0V CT @ 0.125A	24.0V @ 0.25A								
F56-110-C2	FS56-110-C2		56.0V CT @ 0.11A	28.0V @ 0.22A								
F120-050-C2	FS120-05-C2		120.0V CT @ 0.05A	60.0V @ 0.1A								
F10-1200-C2	FS10-1200-C2	12	10.0V CT @ 1.2A	5.0V @ 2.4A	1 7/16	1 9/16	1 7/8	1 1/4	0.3	0.4	1.41	0.7
F12-1000-C2	FS12-1000-C2		12.6V CT @ 1.0A	6.3V @ 2.0A								
F16-800-C2	FS16-800-C2		16.0V CT @ 0.8A	8.0V @ 1.6A								
F20-600-C2	FS20-600-C2		20.0V CT @ 0.6A	10.0V @ 1.2A								
F24-500-C2	FS24-500-C2		24.0V CT @ 0.5A	12.0V @ 1.0A								
F28-420-C2	FS28-420-C2		28.0V CT @ 0.42A	14.0V @ 0.84A								
F36-350-C2	FS36-350-C2		36.0V CT @ 0.35A	18.0V @ 0.7A								
F48-250-C2	FS48-250-C2		48.0V CT @ 0.25A	24.0V @ 0.5A								
F56-220-C2	FS56-220-C2		56.0V CT @ 0.22A	28.0V @ 0.44A								
F120-100-C2	FS120-100-C2		120.0V CT @ 0.1A	60.0V @ 0.2A								
F10-2000-C2	FS10-2000-C2	20	10.0V CT @ 2.0A	5.0V @ 4.0A	1 7/16	1 7/8	2 1/4	1 1/2	0.3	0.4	1.6	0.8
F12-1600-C2	FS12-1600-C2		12.6V CT @ 1.6A	6.3V @ 3.2A								
F16-1250-C2	FS16-1250-C2		16.0V CT @ 1.25A	8.0V @ 2.5A								
F20-1000-C2	FS20-1000-C2		20.0V CT @ 1.0A	10.0V @ 2.0A								
F24-800-C2	FS24-800-C2		24.0V CT @ 0.8A	12.0V @ 1.6A								
F28-700-C2	FS28-700-C2		28.0V CT @ 0.7A	14.0V @ 1.4A								
F36-550-C2	FS36-550-C2		36.0V CT @ 0.55A	18.0V @ 1.1A								
F48-400-C2	FS48-400-C2		48.0V CT @ 0.4A	24.0V @ 0.8A								
F56-350-C2	FS56-350-C2		56.0V CT @ 0.35A	28.0V @ 0.7A								
F120-160-C2	FS120-160-C2		120.0V CT @ 0.16A	60.0V @ 0.32A								
F10-3600-C2	FS10-3600-C2	36	10.0V CT @ 3.6A	5.0V @ 7.2A	1 9/16	2 3/16	2 5/8	*	0.4	0.4	1.85	1.1
F12-2850-C2	FS12-2850-C2		12.6V CT @ 2.85A	6.3V @ 5.7A								
F16-2250-C2	FS16-2250-C2		16.0V CT @ 2.25A	8.0V @ 4.5A								
F20-1800-C2	FS20-1800-C2		20.0V CT @ 1.8A	10.0V @ 3.6A								
F24-1500-C2	FS24-1500-C2		24.0V CT @ 1.5A	12.0V @ 3.0A								
F28-1300-C2	FS28-1300-C2		28.0V CT @ 1.3A	14.0V @ 2.6A								
F36-1000-C2	FS36-1000-C2		36.0V CT @ 1.0A	18.0V @ 2.0A								
F48-750-C2	FS48-750-C2		48.0V CT @ 0.75A	24.0V @ 1.5A								
F56-650-C2	FS56-650-C2		56.0V CT @ 0.65A	28.0V @ 1.3A								
F120-300-C2	FS120-300-C2		120.0V CT @ 0.3A	60.0V @ 0.6A								

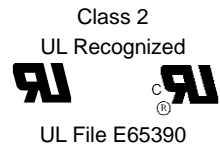
TRIAD

M A G N E T I C S

POWER TRANSFORMERS PC MOUNT

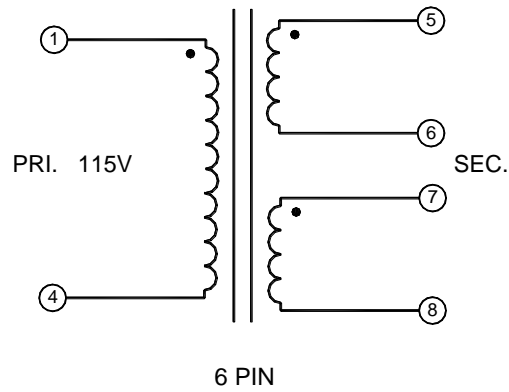
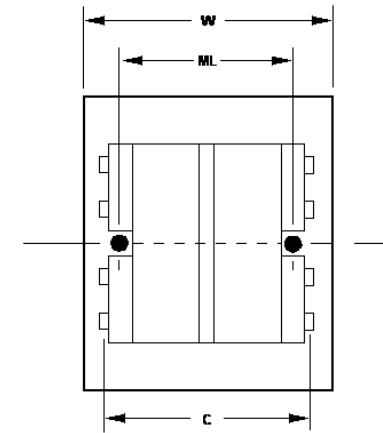
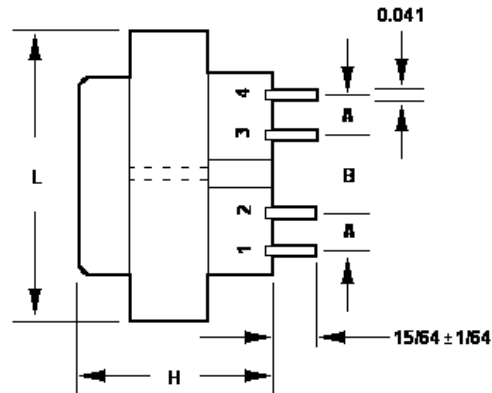
80232 Rev. A

SERIES	INPUT	TIE	APPLY TO	SECONDARY (POLARITY)			
				SERIES TIE	SERIES OUTPUT	PARALLEL TIE	PARALLEL OUTPUT
F (6 PINS)	115V		1 TO 4	6 TO 7	5 TO 8	5 TO 7 & 6 TO 8	5 TO 6
FS (8 PINS)	115V	1 TO 3 & 2 TO 4	1 TO 2	6 TO 7	5 TO 8	5 TO 7 & 6 TO 8	5 TO 6
	230V	2 TO 3	1 TO 4	6 TO 7	5 TO 8	5 TO 7 & 6 TO 8	5 TO 6



TECHNICAL NOTES :

1. HI-POT TESTED @ 1,500 VRMS.
2. PC terminal pin spacing for accurate placement



115/230 V
50/60 Hz

