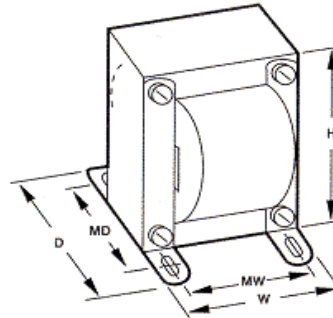


CASE TYPE X



CASE TYPE U

**DESCRIPTION :** TRIAD chokes are manufactured in a wide variety of inductance values & physical configurations. Smoothing chokes are power supply filter chokes having a core with an air gap which prevents saturation at maximum direct current.

**TECHNICAL NOTES:**

1. HI-POT TESTED@ 1,500 VRMS.
2. CONNECTIONS BY LEADS OR SOLDER LUGS.
3. INDUCTANCE TOLERANCE -20% +50%

**SPECIFICATIONS:**

1. INDUCTANCE RANGES: .005 TO 15H
2. DC CURRENT RANGES: 10 Ma TO 22.5A
3. RESISTANCE RANGES: .06 TO 3,500 Ohms

Smoothing Filter Chokes

TYPE NO.	CASE TYPE	CURRENT DC M/A	INDUCTANCE HENRIES	RESISTANCE Ohms	Connec - tions	DIMENSIONS			Mounting		WT Lbs.
						H	W	D	MW	ML	
C-85X	X (1)	10	1.5	70	Leads	1 1/4	2 1/8	1 1/8	1 3/4	-	0.4
C-1X	X (1)	20	15	1,000	Leads	1 3/16	2 1/16	1 1/4	1 3/4	-	0.21
C-3X	X (1)	50	10	500	Leads	1 5/8	2 13/16	1 1/2	2 3/8	-	0.6
C-8X	X (1)	75	7	240	Leads	1 15/16	3 5/16	1 3/4	2 13/16	-	1
C-7X	X (1)	90	10	270	Leads	1 15/16	3 5/16	2	2 13/16	-	1.3
C-14X	X (1)	200	6	150	Leads	2 19/32	4	2 1/4	3 9/16	-	2.3
C-24X	X (1)	240	1	50	Leads	1 5/8	2 13/16	1 1/2	2 3/8	-	0.75
C-36X	X (1)	300	0.5	30	Leads	1 3/8	2 3/8	1 1/2	2	-	0.5
C-17X	X (1)	300	1.5	40	Leads	2 9/32	3 11/16	2	3 1/8	-	1.6
C-40X	X (1)	600	0.32	10	Leads	1 15/16	3 5/16	2	2 13/16	-	1.3
C-47U	U (2)	1.0A/2.0A	0.3/0.75 S	3.0/0.75	Leads	3 1/2	2 7/8	3 3/16	2 1/4	2 11/16	4.6
C-56U	U (2)	2	0.035	0.79	Lugs	2 1/4	2 5/8	2	2 3/16	1 3/4	2
C-49U	U (2)	5.0A/10.0A	0.032/0.008 S	0.19/0.05	Leads	4 1/4	3 1/2	3 5/8	2 3/4	3 1/16	8
C-59U	U (2)	12.5A	0.01	0.1	Lugs	3 1/2	4 1/8	3	3 7/16	2 3/8	6.25
C-80U	U (7)	20.0A/40.0A	0.024/0.006 S	0.1/0.025	Lugs	5 5/16	4 9/16	5 1/2	2 3/4	4 1/2	21.25
C-60U	U (2)	22.5A	0.005	0.06	Lugs	3 3/4	4 1/2	4 3/16	3 3/4	3 1/2	12.75

S = Split Winding

Mounting Hole Sizes: (1) = 3/16" (2) = 13/64 x 3/8" (7) = 9/32 x 1/2"