

POWER TRANSFORMERS PC MOUNT

80041 rev E

DESCRIPTION : Triad Magnetics produces a wide assortment of audio transformers for use in printed circuit designs. These transformers fill a board application spectrum in the audio industry. TRIAD audio printed circuit transformers are used in line matching, telephone coupling, pulse trigger, driver, interstage, output, isolation and input applications.

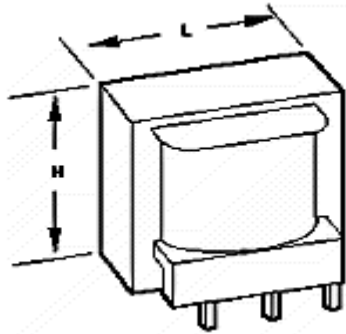


FIGURE A

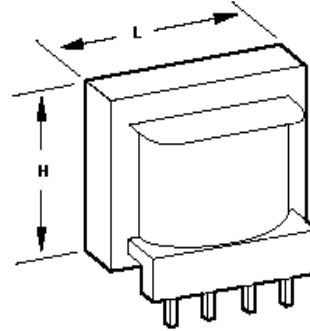


FIGURE B

PLUG-IN PRINTED CIRCUIT AUDIO TRANSFORMER

S - SPLIT WINDING

CT = CENTER TAP

TYPE NO.	Output mW	Primary Impedance	Secondary Impedance	FIG.	Pri. DC UNBALANCE	DIMENSIONS							WT. OZ.
						H	D	L	A	B	C	J	
TY-141P	100	10,000 CT	10,000 CT	A	4 Ma	5/8	19/32	13/16	3/16	27/64	3/16	0.042	0.51
TY-142P	100	10,000 CT	2,000 CT	A	4 Ma	5/8	19/32	13/16	3/16	27/64	3/16	0.042	0.51
TY-144P	100	15,000 CT	15,000 CT	A	4 Ma	5/8	19/32	13/16	3/16	27/64	3/16	0.042	0.51
TY-145P	100	600 CT	600 CT	A	15 Ma	5/8	19/32	13/16	3/16	27/64	3/16	0.042	0.51
TY-146P	1 WATT	600 CT/150 S	600 CT/150 S	B	-	1-1/8	1-1/8	1-3/8	13/16	1-1/32	3/16	0.042	3

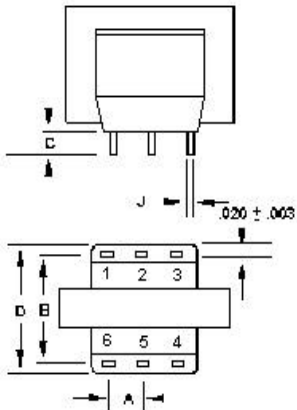
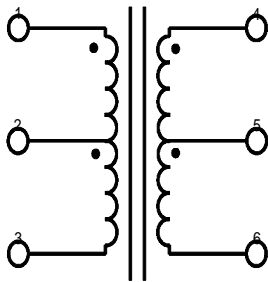


FIGURE A



TECHNICAL NOTE:
 1. PLUG-IN TERMINALS ARE SPACED TO PROVIDE FIXED MOUNTING CENTERS
 2. "-" REFERS TO POLARITY

SPECIFICATIONS:
 Frequency Response Ranges:
 200 - 15,000 Hz

Impedance Matching:
 10% over freq. range

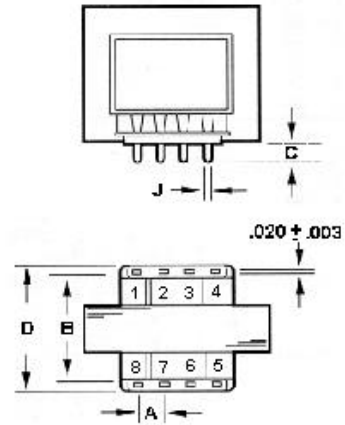


FIGURE B

