

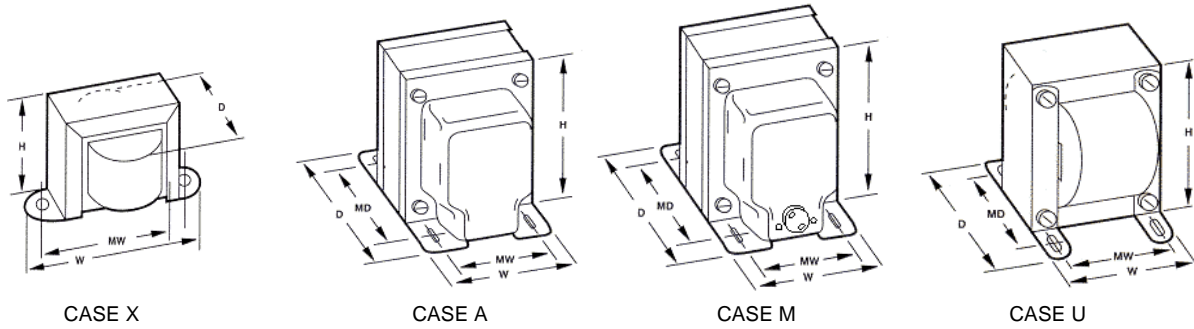
# TRIAD

MAGNETICS

## POWER TRANSFORMERS Isolation

80040 REV E

**DESCRIPTION :** TRIAD isolation transformers are power transformers for isolating equipment from direct connection to the power line. The transformers are constructed with nonconcentrically wound coils. The primary and secondary are wound on separate arbors, then assembled on a laminate core side-by-side separated by insulation. This prevents electrical connection, under normal or overload conditions, between the primary & secondary windings.



### STANDARD APPLICATIONS

Mounting Holes Sizes: (1) = 3/8" (2) = 13/64 x 3/8" (3) = 3/8 x 3/16" (4) = 21/32 x 9/32" (5) = 1/2" x 1/4"

TYPE NO.	CASE TYPE	PRIMARY VOLTAGE	VA	SECONDARY AC		Conne- ctions	Lead Hole used	DIMENSIONS			Mounting		WT Lbs.
				VOLTS +/- 5%	AMPS			H	W	D	MW	MD	
N-48X	X (1)	115	15	115	0.13	Leads	-	1 15/16	3 5/16	2	2 13/16	-	1.35
N-51X	X (1)	115	35	115	0.3	Leads	-	2 9/32	3 11/16	2 1/8	3 1/8	-	1.7
N-68X	X (1)	115/230 S	50	115	0.435	Leads	-	2 9/32	3 11/16	2 1/8	3 1/8	-	1.7
N-53M	M (3)	115	85	115	0.74	6' cord, Plug & Socket	-	3 19/32	2 31/32	3 3/4	2 1/4	2 3/8	4.7
N-53MG /	M (3)	115	85	115	0.74	6' cord, Plug & Socket	-	3 19/32	2 31/32	4 1/8	2 1/4	2 7/8	4.7
N-76U *	U (2)	115	100	115	0.86	Leads	-	3 7/16	2 13/16	3	2 1/4	2 1/2	4
N-77U *	U (2)	115/230	100	115	0.86	Leads	-	3 7/16	2 13/16	3	2 1/4	2 1/2	4
N-54M	M (3)	115	150	115	1.3	6' cord, Plug & Socket	-	3 7/8	3 9/32	4 1/4	2 1/2	3	7
N-54MG /	M (3)	115	150	115	1.3	6' cord, Plug & Socket	-	3 7/8	3 9/32	5 13/16	2 1/2	3 1/2	7
N-73 A	A (3)	115	150	115/230 S	0.65	Leads	1	3 7/8	3 9/32	3 5/8	2 1/2	2 3/4	7
N-67A	A (3)	115/230 S	150	115	1.3	Leads	2	3 7/8	3 9/32	3 7/8	2 1/2	3	7
N-55M	M (3)	115	250	115	2.17	6' cord, Plug & Socket	-	4 5/8	3 15/16	5	3	3 13/16	11
N-55MG /	M (3)	115	250	115	2.17	6' cord, Plug & Socket	-	4 5/8	3 15/16	5	3	3 13/16	11
N-255MG /	M (3)	230	250	115	2.17	6' cord, Plug & Socket	-	4 5/8	3 15/16	5	3	3 13/16	11
N-66A	A (3)	115/230 S	250	115	2.17	Leads	2	4 5/8	3 15/16	4 5/8	3	3 5/8	11
N-57M	M (5)	115	500	115	4.35	6' cord, Plug & Socket	-	5 5/16	4 1/2	6 1/4	3 1/2	5 1/8	23.75
N-57MG /	M (5)	115	500	115	4.35	6' cord, Plug & Socket	-	5 5/16	4 1/2	6 1/4	3 1/2	5 1/8	23.75
N-257MG /	M (5)	230	500	115	4.35	6' cord, Plug & Socket	-	5 5/16	4 1/2	6 1/4	3 1/2	5 1/8	23.75
N-59M	M(5)	115	1000	115	8.7	6' cord, Plug & Socket	-	5 5/16	4 1/2	7 1/8	3 1/2	6	31
N-59MG /	M(5)	115	1000	115	8.7	6' cord, Plug & Socket	-	5 5/16	4 1/2	7 1/8	3 1/2	6	31
N-259MG /	M (5)	230	1000	115	8.7	6' cord, Plug & Socket	-	5 5/16	4 1/2	7 1/8	3 1/2	6	31

S = SPLIT WINDING \* = UNIT DOES NOT INCLUDE STATIC SHIELD / = WITH GROUND WIRE

TYPE NO.	CASE TYPE	PRIMARY VOLTAGE	VA	SECONDARY AC		Conne- ctions	Lead Hole used	DIMENSIONS			Mounting		WT Lbs.
				VOLTS +/- 5%	AMPS			H	W	D	MW	ML	
N-90MD	M (3)	115	250	115.0	2.17	6' cord, Plug & Socket Circuit Breaker	-	4-5/8	3-7/8	6-1/8	3	4-15/16	11.9
N-92MD	M (4)	115	500	115.0	4.35	6' cord, Plug & Socket Circuit Breaker	-	5-11/32	4-1/2	7	3-1/2	5-3/8	17.6

Leakage current from primary to secondary is rated at less than 50 micro-amps and is typically measured at less than 10 micro-amps.

# TRIAD

M A G N E T I C S

## POWER TRANSFORMERS

80040 REV E

### Isolation

#### TECHNICAL NOTES:

1. Line cord, plug and receptacle are U.L. listed and verified to meet federal specifications.
2. Connections are by leads, plugs and sockets.
3. Hi-pot tested @ 1,500 VRMS
4. All units have static shields, except those marked with an asterisk.

#### SPECIFICATIONS:

PRIMARY: 115/230 VAC, 50/60 Hz

SECONDARY: 115/230 VAC

OUTPUT WATTS: 15 TO 1,000 VA

#### LEAD CONNECTION HOOK-UPS:

##### N-48X, 51X, 76U

HOOK UP						OUTPUT
115 VAC	-	-	APPLY TO	BLK - BLK	SEC	RED - RED

##### N-68X, 66A, 67A

HOOK UP						OUTPUT
115 VAC	TIE	BLK - RED/BLK YEL/BLK - GRN/BLK	APPLY TO	BLK - YEL/BLK	SEC	RED - RED
230 VAC	TIE	YEL/BLK - RED/BLK	APPLY TO	BLK - GRN/BLK	SEC	RED - RED

##### N-77U

HOOK UP						OUTPUT
115 VAC	TIE	BLK - BLK/GRN BLK/YEL - BLK/RED	APPLY TO	BLK - BLK/YEL	SEC	RED - RED
230 VAC	TIE	BLK/YEL - BLK/GRN	APPLY TO	BLK - BLK/RED	SEC	RED - RED

##### N-73A

HOOK UP						OUTPUT
115 VAC	-	-	APPLY TO	BLK - YEL/BLK	SEC1	BLK/RED - BLK/YEL
					SEC2	BLK/GRN - BLK/WHT