

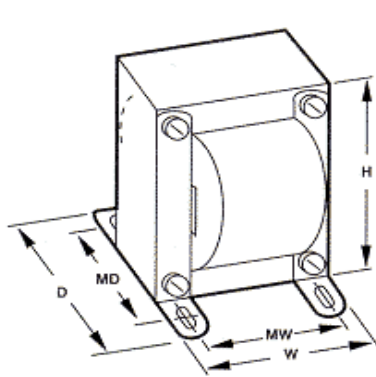
# TRIAD

MAGNETICS

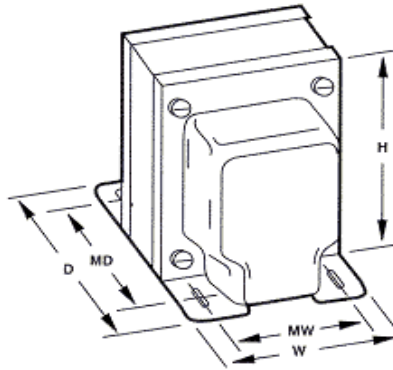
## POWER TRANSFORMERS

80037 REV D

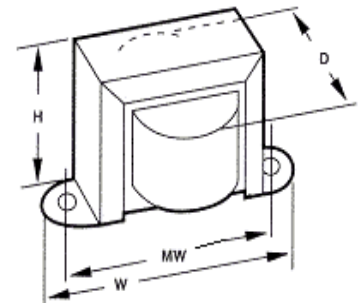
**DESCRIPTION :** TRIAD chassis mount power transformers provide maximum performance when intergrated into full wave center tap or bridge type circuits with silicon or selenium rectifiers. The secondary voltages are selected by primary taps. The secondaries of the Series F-90 transformers may be connected to provide a wide variety of output voltages. (SEE Technical Notes) The Series F-90 supply the DC voltages for transistors in their various applications. They are intended for use with full wave center tap or bridge rectifiers, but may be used with voltage doubler circuits at one-half of the rated current.



CASE TYPE U



CASE TYPE A



CASE TYPE X

F-90 SERIES									
PRIMARY 115 V		SECONDARY							
LEAD	LEAD	LEADS	GREEN RED	LEADS	GREEN BLUE	LEADS	YELLOW RED	LEADS	BLUE RED
BLK/YEL	BLK	40V CT	YELLOW	30.0V		20V CT	BLUE	10.0V	
BLK/YEL	BLK/RED	38V CT	YELLOW	28.5V		19V CT	BLUE	9.5V	
BLK/GRN	BLK	34V CT	YELLOW	25.5V		17V CT	BLUE	8.5V	
BLK/GRN	BLK/RED	32V CT	YELLOW	24.0V		16V CT	BLUE	8.0V	
BLK/WHT	BLK	30V CT	YELLOW	22.5V		15V CT	BLUE	7.5V	
BLK/WHT	BLK/RED	28V CT	YELLOW	21.0V		14V CT	BLUE	7.0V	

### UNIVERSAL SECONDARIES

MOUNTING HOLE SIZES: X = 3/16" A = 3/8 X 13/64" U = 13/64 X 3/8"

TYPE NO.	CASE TYPE	PRIMARY VOLTAGE	SECONDARY AC		Connec - tions	DIMENSIONS			Mounting		WT Lbs.
			VOLTS	AMPS		H	W	D	MW	MD	
F-360U	U	115/230	0-6.5/13/19.5/26	3	LEADS	3-3/8	2-13/16	2-5/8	2-1/4	2-3/16	3.5
F-361U	U	115/230	0-24/27/30/33/36	3	LEADS	3-3/4	3-1/8	3-1/4	2-1/2	2-5/8	5.65

### UNIVERSAL, 115 VOLTS

TYPE NO.	CASE TYPE	PRIMARY VOLTAGE	SECONDARY AC		Connec - tions	DIMENSIONS			Mounting		WT Lbs.
			VOLTS	DC AMPS		H	W	D	MW	MD	
F-94X	X	115 t	10-20 CT-40 CT	0.035	LEADS	1-3/8	2-3/8	1-3/8	2	-	0.5
F-90X	X	115 t	10-20 CT-40 CT	0.1	LEADS	1-5/8	2-13/16	1-5/8	2-3/8	-	0.7
F-91X	X	115 t	10-20 CT-40 CT	0.3	LEADS	2-9/32	3-11/16	2	3-1/8	-	1.5
F-93X	X	115 t	10-20 CT-40 CT	0.75	LEADS	2-19/32	4	2-1/4	3-9/16	-	2.4
F-92A	A	115 t	10-20 CT-40 CT	1	LEADS	3-3/16	2-21/32	3	2	2-1/16	3.25

t TAPPED PRIMARY TO PRODUCE LOWER VOLTAGES CT = CENTER TAP  
(SEE TECHNICAL NOTES BELOW FOR VOLTAGES SELECTED BY VARIOUS COMBINATIONS OF PRIMARY TAP INTERCONNECTIONS.)

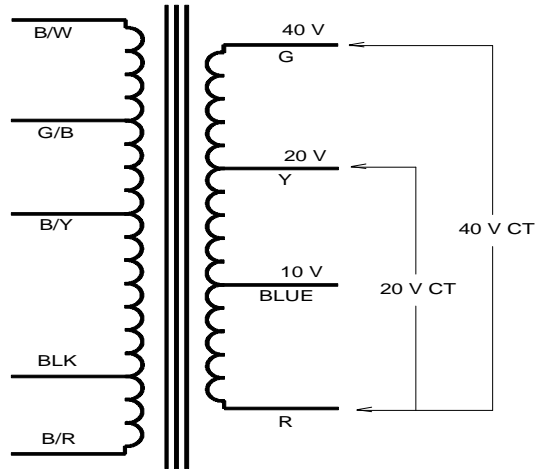
TECHNICAL NOTES:

1. DC AMP RATING WITH A FULL WAVE BRIDGE RECTIFIER HI-POT TESTED @ 1,500 VRMS
2. "." REFER TO POLARITY

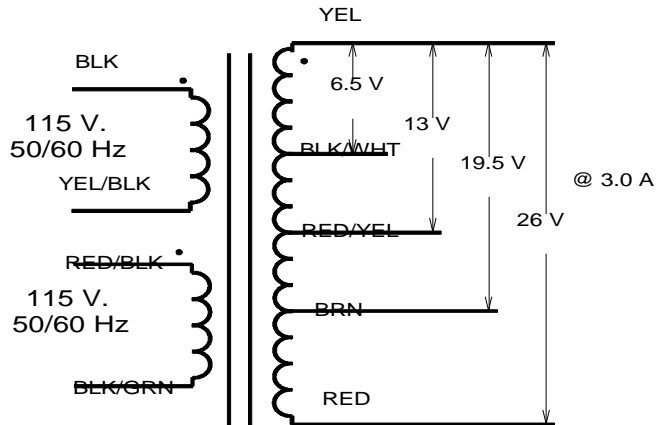
SPECIFICATIONS:

PRIMARY : 115 V, 230 V, 50/60 Hz  
 SECONDARY AC: F-90 SERIES - 14 TO 40 (FWCT)  
 F-90 SERIES - 7 TO 30 (FWB)

F-90 SERIES



F-360U



F-361U

