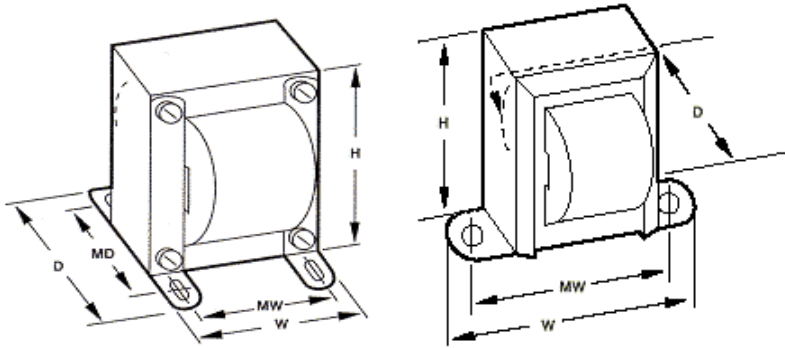


POWER TRANSFORMERS

CHASSIS MOUNT - CONTROL

80036 REV D

DESCRIPTION : TRIAD control transformers supply secondary voltages that are commonly utilized in various electronic, electro-magnetic and electrical control conditions. These include such applications as use with relays, solenoids, small motors, speed changers, pumps, heating elements, control valves for fluids and gases, fans and blowers, electronic tubes, automatic assembly equipment, recording devices, elevators, door openers, and low voltage lamps.



CASE TYPE U

CASE TYPE Z

SPECIFICATIONS:

PRIMARY: 115/230 VAC, 50/60 Hz

VA RANGE: 12 TO 192

SECONDARY: 6/12/24 VAC

INPUT		HOOK UP			POLARITY		
115V AC	TIE	1 TO 2 & 3 TO 4	APPLY TO	1 TO 3	SECONDARY	TIE	OUTPUT
230V AC	TIE	2 TO 3	APPLY TO	1 TO 4	SERIES	6 TO 7	5 TO 8 CT (6-7)
					PARALLEL	5 TO 6 & 7 TO 8	5 TO 8

PRIMARY, 115/230 VOLTS / SECONDARIES, 6/12/24 VOLTS

TYPE NO.	CASE TYPE	VA	SECONDARY		Connec - tions	DIMENSIONS			Mounting		WT Lbs.
			SERIES	PARALLEL		H	W	D	MW	MD	
F-105Z F-211Z	Z	12	12.0V CT @ 1.0A 48.0V CT @ 0.25A	6.0V @ 2.0A 24.0V @ 0.5A	LUGS	2-3/8	2-7/8	1-3/4	2-3/8	-	1.0 0.678
F-106Z F-212Z	Z	24	12.0V CT @ 2.0A 48.0V CT @ 0.50A	6.0V @ 4.0A 24.0V @ 1.0A	LUGS	2-3/4	3-1/8	2	2-13/16	-	1.5 1.05
F-107Z F-213Z	Z	48	24.0V CT @ 2.0A 48.0V CT @ 1.0A	12.0V @ 4.0A 24.0V @ 2.0A	LUGS	3-1/8	3-5/8	2-3/8	3-1/8	-	2.5 2.25
F-398U F-108U F-214U	U	72	24.0V CT @ 3.0A 48.0V CT @ 2.0A	12.0V @ 6.0A 24.0V @ 4.0A	LUGS	3-13/32	2-13/16	2-13/16	2-1/4	2-1/4	4.25 4.25 3.24
F-399U F-400U	U	144	24.0V CT @ 6.0A 48.0V CT @ 3.0A	12.0V @ 12.0A 24.0V @ 6.0A	LUGS	3-3/4	3-1/8	3-1/2	2-1/2	2-7/8	5.9
F-109U F-215U	U	192	24.0V CT @ 8.0A 48.0V CT @ 4.0A	12.0V @ 16.0A 24.0V @ 8.0A	LUGS	4-3/16 4-3/16	3-7/16 3-7/16	3-9/16 3-7/8	2-3/4 2-3/4	3 3	8.0 6.06

CT = CENTER TAP

MOUNTING HOLE SIZES: Z = 3/16" U = 13/64 X 3/8"

TECHNICAL NOTES:

1. HI-POT TESTED @ 1,500 VRMS.
2. SECONDARIES MAY BE CONNECTED IN SERIES OR PARALLEL FOR EXPANDED VOLTAGE & CURRENT RANGES. SEE CONTROL TRANSFORMER CONNECTIONS DIAGRAM.
3. TRANSFORMER TERMINATION IS SOLDER LUG.
4. "." REFER TO POLARITY

