

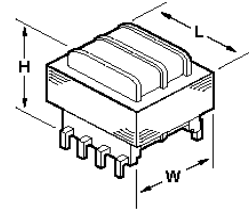
# TRIAD

M A G N E T I C S

## POWER TRANSFORMERS PC MOUNT

80032 rev D

**DESCRIPTION :** The TRIAD Split Pack bobbin transformer from Triad is an extremely versatile tool for PC board applications. Split Pack transformers are nonconcentrically wound - with primaries and secondaries side-by-side. Unlike the secondary-on-top-of-primary designs of standard PC board transformers, the split bobbin winding and low capacitive coupling eliminate costly electrostatic shielding. It is offered in a dual secondary configuration with either single or dual primaries. Input: 115 VAC or 115v/230v 50/60Hz.



SPLIT PACK CT = CENTER TAP \* 36 VA size has 4 mtg. holes on 2 3/16 X 1 3/4 Center Tap

SINGLE PRI 6 PIN	DUAL PRI 8 PIN	VA	SECONDARY		DIMENSIONS							WT. OZ.
			SERIES	PARRALLEL	H	W	L	ML	A	B	C	
F10-110	FS10-110	1.1	10.0V CT @ 0.11A	5.0V @ 0.22A	15/16	1 1/8	1 3/8	-	0.25	0.25	1.20	0.17
F12-090	FS12-090		12.6V CT @ 0.09A	6.3V @ 0.18A								
F16-070	FS16-070		16.0V CT @ 0.07A	8.0V @ 0.14A								
F20-055	FS20-055		20.0V CT @ 0.055A	10.0V @ 0.11A								
F24-045	FS24-045		24.0V CT @ 0.045A	12.0V @ 0.09A								
F28-040	FS28-040		28.0V CT @ 0.04A	14.0V @ 0.08A								
F36-030	FS36-030		36.0V CT @ 0.03A	18.0V @ 0.06A								
F48-023	FS48-023		48.0V CT @ 0.023A	24.0V @ 0.046A								
F56-020	FS56-020		56.0V CT @ 0.02A	28.0V @ 0.04A								
F120-010	FS120-01		120.0V CT @ 0.01A	60.0V @ 0.02A								
F10-250	FS10-250	2.5	10.0V CT @ 0.25A	5.0V @ 0.5A	1 3/16	1 1/8	1 3/8	-	0.25	0.25	1.20	0.25
F12-200	FS12-200		12.6V CT @ 0.2A	6.3V @ 0.4A								
F16-150	FS16-150		16.0V CT @ 0.15A	8.0V @ 0.3A								
F20-120	FS20-120		20.0V CT @ 0.12A	10.0V @ 0.24A								
F24-100	FS24-100		24.0V CT @ 0.1A	12.0V @ 0.2A								
F28-85	FS28-85		28.0V CT @ 0.085A	14.0V @ 0.17A								
F36-65	FS36-65		36.0V CT @ 0.065A	18.0V @ 0.13A								
F48-050	FS48-050		48.0V CT @ 0.05A	24.0V @ 0.1A								
F56-045	FS56-045		56.0V CT @ 0.045A	28.0V @ 0.09A								
F120-020	FS120-02		120.0V CT @ 0.02A	60.0V @ 0.04A								
F10-600	FS10-600	6	10.0V CT @ 0.6A	5.0V @ 1.2A	1 5/16	1 5/16	1 5/8	1 1/16	0.25	0.35	1.280	0.44
F12-500	FS12-500		12.6V CT @ 0.5A	6.3V @ 1.0A								
F16-400	FS16-400		16.0V CT @ 0.4A	8.0V @ 0.8A								
F20-300	FS20-300		20.0V CT @ 0.3A	10.0V @ 0.6A								
F24-250	FS24-250		24.0V CT @ 0.25A	12.0V @ 0.5A								
F28-200	FS28-200		28.0V CT @ 0.2A	14.0V @ 0.4A								
F36-170	FS36-170		36.0V CT @ 0.17A	18.0V @ 0.34A								
F48-125	FS48-125		48.0V CT @ 0.125A	24.0V @ 0.25A								
F56-110	FS56-110		56.0V CT @ 0.11A	28.0V @ 0.22A								
F120-050	FS120-05		120.0V CT @ 0.05A	60.0V @ 0.1A								
F10-1200	FS10-1200	12	10.0V CT @ 1.2A	5.0V @ 2.4A	1 7/16	1 9/16	1 7/8	1 1/4	0.3	0.4	1.41	0.7
F12-1000	FS12-1000		12.6V CT @ 1.0A	6.3V @ 2.0A								
F16-800	FS16-800		16.0V CT @ 0.8A	8.0V @ 1.6A								
F20-600	FS20-600		20.0V CT @ 0.6A	10.0V @ 1.2A								
F24-500	FS24-500		24.0V CT @ 0.5A	12.0V @ 1.0A								
F28-420	FS28-420		28.0V CT @ 0.42A	14.0V @ 0.84A								
F36-350	FS36-350		36.0V CT @ 0.35A	18.0V @ 0.7A								
F48-250	FS48-250		48.0V CT @ 0.25A	24.0V @ 0.5A								
F56-220	FS56-220		56.0V CT @ 0.22A	28.0V @ 0.44A								
F120-100	FS120-100		120.0V CT @ 0.1A	60.0V @ 0.2A								
F10-2000	FS10-2000	20	10.0V CT @ 2.0A	5.0V @ 4.0A	1 7/16	1 7/8	2 1/4	1 1/2	0.3	0.4	1.6	0.8
F12-1600	FS12-1600		12.6V CT @ 1.6A	6.3V @ 3.2A								
F16-1250	FS16-1250		16.0V CT @ 1.25A	8.0V @ 2.5A								
F20-1000	FS20-1000		20.0V CT @ 1.0A	10.0V @ 2.0A								
F24-800	FS24-800		24.0V CT @ 0.8A	12.0V @ 1.6A								
F28-700	FS28-700		28.0V CT @ 0.7A	14.0V @ 1.4A								
F36-550	FS36-550		36.0V CT @ 0.55A	18.0V @ 1.1A								
F48-400	FS48-400		48.0V CT @ 0.4A	24.0V @ 0.8A								
F56-350	FS56-350		56.0V CT @ 0.35A	28.0V @ 0.7A								
F120-160	FS120-160		120.0V CT @ 0.16A	60.0V @ 0.32A								
F10-3600	FS10-3600	36	10.0V CT @ 3.6A	5.0V @ 7.2A	1 9/16	2 3/16	2 5/8	*	0.4	0.4	1.85	1.1
F12-2850	FS12-2850		12.6V CT @ 2.85A	6.3V @ 5.7A								
F16-2250	FS16-2250		16.0V CT @ 2.25A	8.0V @ 4.5A								
F20-1800	FS20-1800		20.0V CT @ 1.8A	10.0V @ 3.6A								
F24-1500	FS24-1500		24.0V CT @ 1.5A	12.0V @ 3.0A								
F28-1300	FS28-1300		28.0V CT @ 1.3A	14.0V @ 2.6A								
F36-1000	FS36-1000		36.0V CT @ 1.0A	18.0V @ 2.0A								
F48-750	FS48-750		48.0V CT @ 0.75A	24.0V @ 1.5A								
F56-650	FS56-650		56.0V CT @ 0.65A	28.0V @ 1.3A								
F120-300	FS120-300		120.0V CT @ 0.3A	60.0V @ 0.6A								

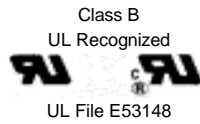
# TRIAD

MAGNETICS

## POWER TRANSFORMERS PC MOUNT

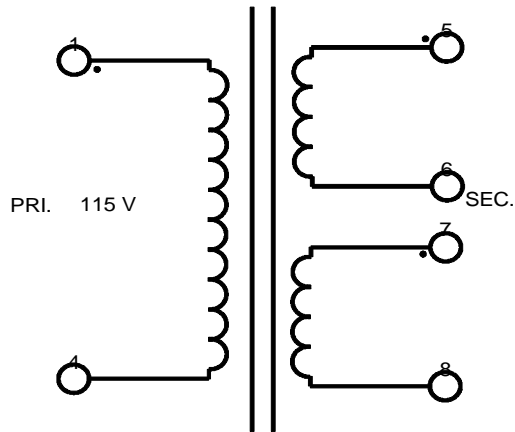
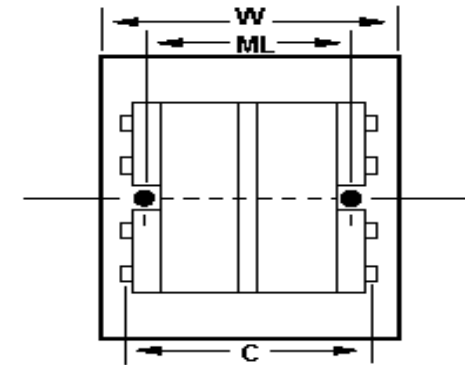
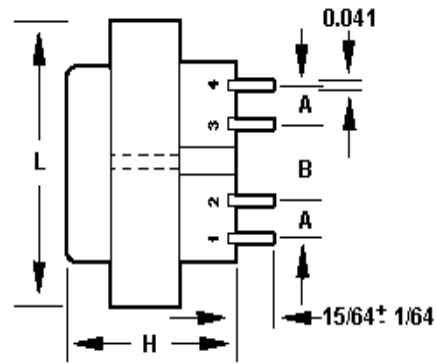
80032 rev D

SERIES	INPUT	TIE	APPLY TO	SECONDARY (POLARITY)			
				SERIES TIE	SERIES OUTPUT	PARALLEL TIE	PARALLEL OUTPUT
F (6 PINS)	115V		1 TO 4	6 TO 7	5 TO 8	5 TO 7 & 6 TO 8	5 TO 6
FS (8 PINS)	115V	1 TO 3 & 2 TO 4	1 TO 2	6 TO 7	5 TO 8	5 TO 7 & 6 TO 8	5 TO 6
	230V	2 TO 3	1 TO 4	6 TO 7	5 TO 8	5 TO 7 & 6 TO 8	5 TO 6

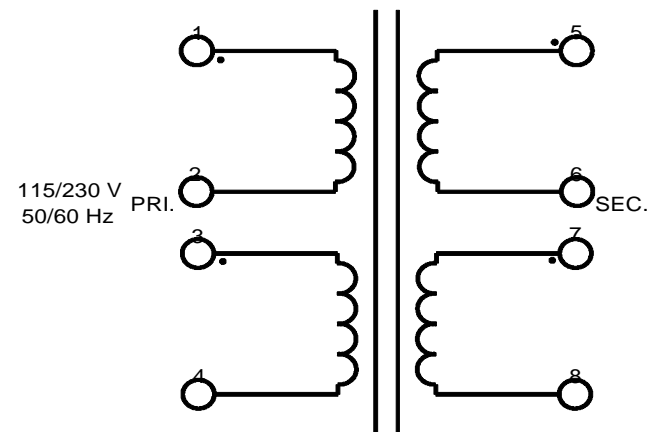


TECHNICAL NOTES:

1. HI-POT TESTED @ 1,500 VRMS.
2. PC terminal pin spacing for accurate placement



6 PIN



8 PIN