

TRIAD

M A G N E T I C S

POWER TRANSFORMERS Chassis Mount

80030 rev E

DESCRIPTION : The TRIAD Quick Pack small power transformer series from Triad offers a significant reduction in size & weight for a given VA rating. Split bobbin nonconcentric winding eliminates costly electrostatic shielding. Termination is suitable for quick connects or soldering.

SPECIFICATIONS:

PRIMARY: 115V or 115/230 V, 50/60Hz

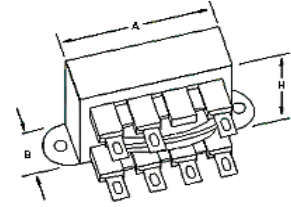
VA RANGE: 2.4 TO 100.0

Output Rating Range: 10.0V CT TO 120.0V CT

Class B
UL Recognized



UL File E53148



QUICK PACK		CT = Center Tap	Mounting hole size: 3/16"		DIMENSIONS						WT. LBS.
115V SINGLE PRI.	115/230V DUAL PRI.	VA	OUTPUT RATING		H	W	L	A	B	ML	
F3-10	-	2.4	10.0V CT @ 0.25A		1-3/16	1-1/16	2-1/16	1-5/8	9/16	1-3/4	0.25
F3-12	-		12.6V CT @ 0.2A								
F3-16	-		16.0V CT @ 0.15A								
F3-20	-		20.0V CT @ 0.12A								
F3-24	-		24.0V CT @ 0.1A								
F3-28	-		28.0V CT @ 0.085A								
F3-36	-		36.0V CT @ 0.065A								
F3-48	-		48.0V CT @ 0.05A								
F3-56	-		56.0V CT @ 0.045A								
F3-120	-		120.0V CT @ 0.02A								
F4-10	FD4-10	6	10.0V CT @ 0.6A		1-3/8	1-1/4	2-3/8	1-11/16	11/16	2	0.44
F4-12	FD4-12		12.6V CT @ 0.5A								
F4-16	FD4-16		16.0V CT @ 0.4A								
F4-20	FD4-20		20.0V CT @ 0.3A								
F4-24	FD4-24		24.0V CT @ 0.25A								
F4-28	FD4-28		28.0V CT @ 0.2A								
F4-36	FD4-36		36.0V CT @ 0.17A								
F4-48	FD4-48		48.0V CT @ 0.125A								
F4-56	FD4-56		56.0V CT @ 0.11A								
F4-120	FD4-120		120.0V CT @ 0.05A								
F5-10	FD5-10	12	10.0V CT @ 1.2A		1-5/8	1-3/8	2-13/16	1-15/16	13/16	2-3/8	0.7
F5-12	FD5-12		12.6V CT @ 1.0A								
F5-16	FD5-16		16.0V CT @ 0.8A								
F5-20	FD5-20		20.0V CT @ 0.6A								
F5-24	FD5-24		24.0V CT @ 0.5A								
F5-28	FD5-28		28.0V CT @ 0.42A								
F5-36	FD5-36		36.0V CT @ 0.35A								
F5-48	FD5-48		48.0V CT @ 0.25A								
F5-56	FD5-56		56.0V CT @ 0.22A								
F5-120	FD5-120		120.0V CT @ 0.1A								
F6-10	FD6-10	30	10.0V CT @ 3.0A		1-15/16	1-11/16	3-1/4	2-5/16	1-1/16	2-13/16	1.1
F6-12	FD6-12		12.6V CT @ 2.5A								
F6-16	FD6-16		16.0V CT @ 2.0A								
F6-20	FD6-20		20.0V CT @ 1.5A								
F6-24	FD6-24		24.0V CT @ 1.25A								
F6-28	FD6-28		28.0V CT @ 1.1A								
F6-36	FD6-36		36.0V CT @ 0.85A								
F6-48	FD6-48		48.0V CT @ 0.63A								
F6-56	FD6-56		56.0V CT @ 0.54A								
F6-120	FD6-120		120.0V CT @ 0.25A								
F7-10	FD7-10	56	10.0V CT @ 5.0A		2-1/4	1-13/16	3-11/16	2-11/16	1-1/16	3-1/8	1.7
F7-12	FD7-12		12.6V CT @ 4.0A								
F7-16	FD7-16		16.0V CT @ 3.5A								
F7-20	FD7-20		20.0V CT @ 2.8A								
F7-24	FD7-24		24.0V CT @ 2.4A								
F7-28	FD7-28		28.0V CT @ 2.0A								
F7-36	FD7-36		36.0V CT @ 1.5A								
F7-48	FD7-48		48.0V CT @ 1.2A								
F7-56	FD7-56		56.0V CT @ 1.0A								
F7-120	FD7-120		120.0V CT @ 0.5A								
F8-10	FD8-10	100	10.0V CT @ 10.0A		2-9/16	2-1/4	4-1/32	3-1/16	1-5/16	3-9/16	2.75
F8-12	FD8-12		12.6V CT @ 8.0A								
F8-16	FD8-16		16.0V CT @ 6.25A								
F8-20	FD8-20		20.0V CT @ 5.0A								
F8-24	FD8-24		24.0V CT @ 4.0A								
F8-28	FD8-28		28.0V CT @ 3.6A								
F8-36	FD8-36		36.0V CT @ 2.8A								
F8-48	FD8-48		48.0V CT @ 2.0A								
F8-56	FD8-56		56.0V CT @ 1.8A								
F8-120	FD8-120		120.0V CT @ 0.85A								

TRIAD

M A G N E T I C S

POWER TRANSFORMERS Chassis Mount

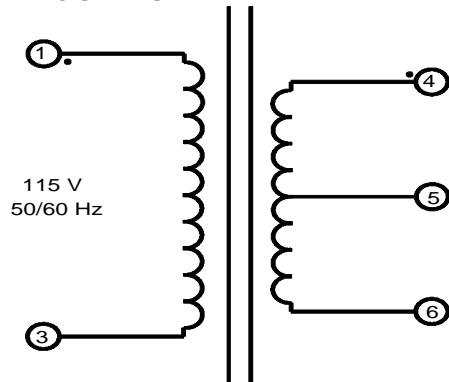
80030 rev E

TECHNICAL NOTES:

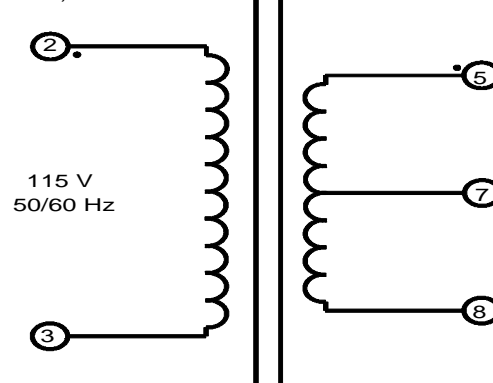
1. Class B insulation for max temp. of 130 degrees c.
2. Hi-pot tested at 2,500 VRMS.
3. Terminal size is .187" x .021".
4. Dots on schematic represents polarity

SERIES	INPUT	TIE	APPLY TO	POLARITY OUTPUT
F3	115V		1 TO 3	4 TO 6 CT(5)
F4-F5	115V		2 TO 3	5 TO 8CT(7)
F6-F8	115V		2 TO 4	6 TO 10 CT(8)
FD4-FD5	115V	1 TO 3 & 2 TO 4	1 TO 2	5 TO 8 CT (7)
FD4-FD5	230V	2 TO 3	1 TO 4	5 TO 8 CT (7)
FD6-FD8	115V	1TO 4 & 2 TO 5	1 TO 2	6 TO 10 CT (8)
FD6-FD8	230V	2 TO 4	1 TO 5	6 TO 10 CT (8)

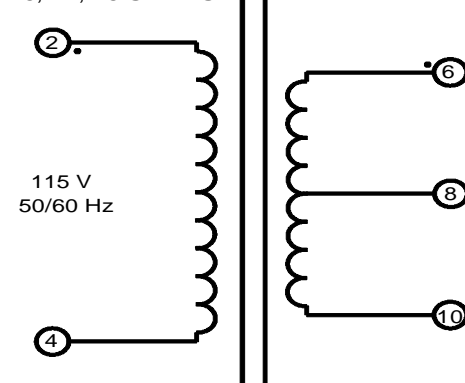
F3 SERIES



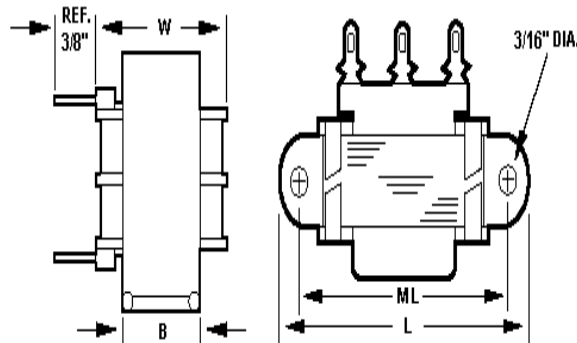
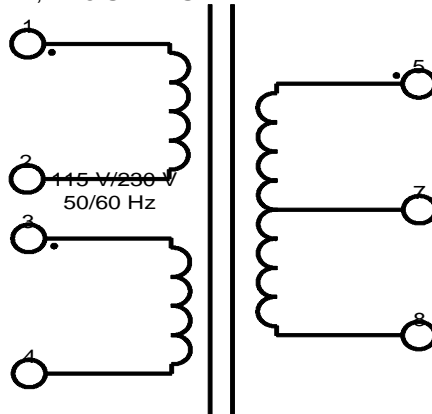
F4, F5 SERIES



F6, F7, F8 SERIES



FD4, FD5 SERIES



FD6, FD7, FD8 SERIES

