

TRIAD

M A G N E T I C S

POWER TRANSFORMERS PC MOUNT

80029 rev D

DESCRIPTION : TRIAD power transformers are offered in a wide selection of plug-in types to meet the needs of PC board & solid state power supply designs. These transformers can satisfy power as well as control & instrumentation applications. The transformers are available in single primary & dual secondary with & without center tapped configuration.

HOOK UP: FOR FIG A & B

FOR FIG C & D

APPLY 115 VAC, 50/60HZ, BETWEEN 1 & 2

APPLY 115VAC, 50/60Hz, BETWEEN 1 & 2

FOR SERIES CONNECTION, TIE 4 & 5, MEASURE OUTPUT ACROSS 3 & 4

MEASURE OUTPUT ACROSS 3 & 5 (CT @ 4)

FOR PARALLEL CONNECTION, TIE 3 TO 5 & 4 TO 6, MEASURE OUTPUT ACROSS 3 & 4

MEASURE OUTPUT ACROSS 6 & 8 (CT @ 7)

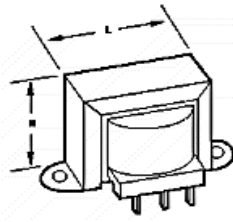


FIGURE A

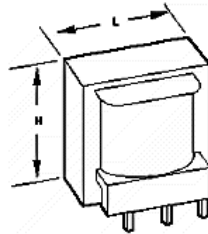


FIGURE B

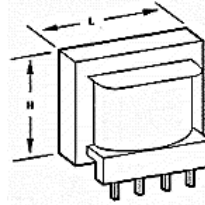


FIGURE C

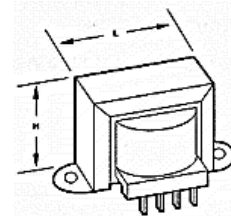


FIGURE D

SINGLE PRI., DUAL SEC. CT = CENTER TAP MOUNTING HOLE SIZE: FIGURE A = 3/16"

TYPE NO.	FIGURE	VA	SECONDARY		DIMENSIONS							WT. OZ
			SERIES	PARRALLEL	H	W	D	L	A	B	MW	
F-131P	B	1.5	8.0V CT @ 0.188A	4.0V @ 0.376A	1-3/16	-	1-5/32	1-25/64	5/16	1	-	3.5
F-139P			12.6V CT @ 0.12A	6.3V @ 0.24A								
F-132P			15.0V CT @ 0.100A	7.5V @ 0.200A								
F-150P			17.0V CT @ 0.085A	8.5V @ 0.170A								
F-138P			25.2V CT @ 0.06A	12.6V @ 0.12A								
F-133P			30.0V CT @ 0.050A	15.0V @ 0.100A								
F-160P			34.0V CT @ 0.045A	17.0V @ 0.090A								
F-137P			40.0V CT @ 0.038A	20.0V @ 0.076A								
F-134P			54.0V CT @ 0.028A	27.0V @ 0.056A								
F-135P			76.0V CT @ 0.020A	38.0V @ 0.040A								
F-136P			116.0V CT @ 0.013A	58.0V @ 0.026A								
F-141XP			A	4.5								
F-149XP	12.6V CT @ 0.35A	6.3V @ 0.70A										
F-142XP	15.0V CT @ 0.300A	7.5V @ 0.600A										
F-161XP	17.0V CT @ 0.264A	8.5V @ 0.528A										
F-148XP	25.2V CT @ 0.178A	12.6V @ 0.356A										
F-143XP	30.0V CT @ 0.150A	15.0V @ 0.300A										
F-162XP	34.0V CT @ 0.132A	17.0V @ 0.264A										
F-147XP	40.0V CT @ 0.112A	20.0V @ 0.224A										
F-144XP	54.0V CT @ 0.084A	27.0V @ 0.168A										
F-145XP	76.0V CT @ 0.060A	38.0V @ 0.120A										
F-146XP	116.0V CT @ 0.033A	58.0V @ 0.066A										
F-151XP	A	7.5			8.0V CT @ 0.940A	4.0V @ 1.88A	1-5/8	2-13/16	1-15/32	1-61/64	13/32	1-5/16
F-159XP			12.6V CT @ 0.60A	6.3V @ 1.2A								
F-152XP			15.0V CT @ 0.500A	7.5V @ 1.000A								
F-163XP			17.0V CT @ 0.441A	8.5V @ 0.882A								
F-158XP			25.2V CT @ 0.30A	12.6V @ 0.60A								
F-153XP			30.0V CT @ 0.250A	15.0V @ 0.500A								
F-164XP			34.0V CT @ 0.220A	17.0V @ 0.440A								
F-157XP			40.0V CT @ 0.188A	20.0V @ 0.376A								
F-154XP			54.0V CT @ 0.140A	27.0V @ 0.280A								
F-155XP			76.0V CT @ 0.100A	38.0V @ 0.200A								
F-156XP			116.0V CT @ 0.065A	58.0V @ 0.130A								

115V, 50/60Hz Primary/Triple Output Secondaries for +/-15 vdc & +5 vdc

CT= Center Tap

Mounting holes size: Figure D=3/16"

TYPE NO.	FIGURE	VA	SECONDARY		DIMENSIONS							WT. OZ
			Secondary No. 1	Secondary No.2	H	W	D	L	A	B	MW	
F-165P	C	1-1/2	24.0V CT @ 0.025A	9.0V CT @ 0.100A	1-3/16	1-25/64	1-5/32	1-25/64	13/64	1	-	3.5
F-167P	C	1-1/2	32.0V CT @ 0.020A	15.0V CT @ 0.060A	1-3/16	1-25/64	1-5/32	1-25/64	13/64	1	-	3.5
F-168XP	D	4-1/2	32.0V CT @ 0.050A	15.0V CT @ 0.195A	1-7/16	2-3/8	1-1/4	1-45/64	1/4	1-3/32	2	7.5
F-166XP	D	7-1/2	24.0V CT @ 0.125A	9.0V CT @ 0.500A	1-5/8	2-13/16	1-15/32	1-61/64	1/4	1-5/16	2-3/8	10.5
F-169XP	D	7-1/2	32.0V CT @ 0.100A	15.0V CT @ 0.287A	1-5/8	2-13/16	1-15/32	1-61/64	1/4	1-5/16	2-3/8	10.5

TRIAD

M A G N E T I C S

POWER TRANSFORMERS PC MOUNT

80029 rev D

TECHNICAL NOTES:

1. HI-POT TESTED @ 1,500 VRMS.

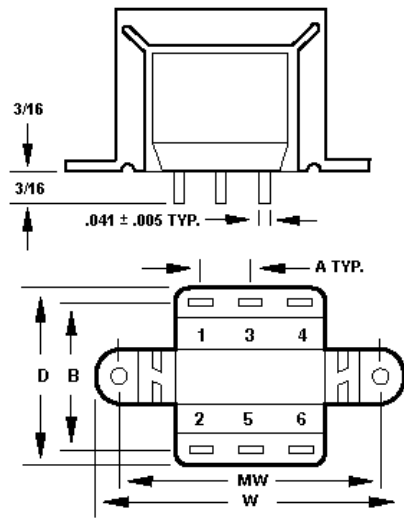


FIGURE A

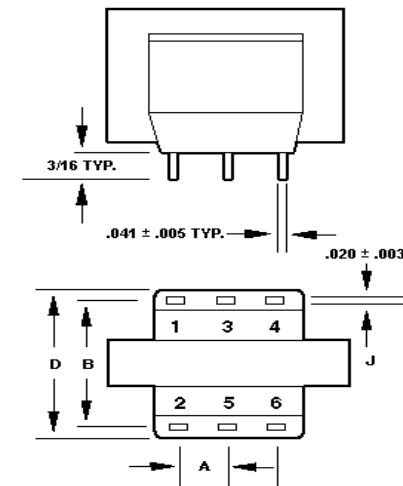
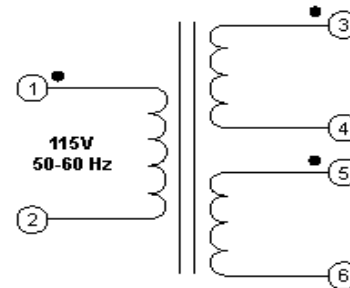


FIGURE B

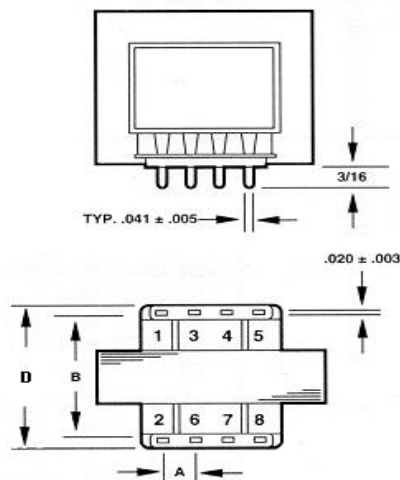


FIGURE C

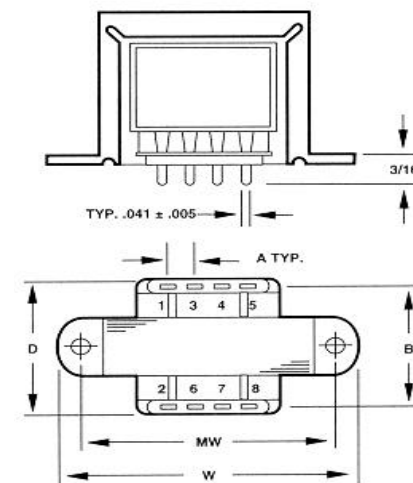
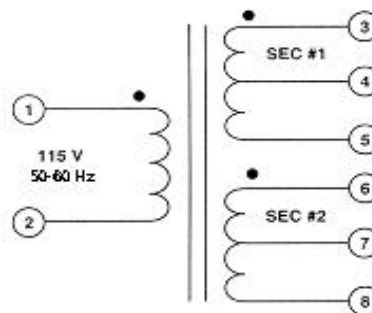


FIGURE D