

TRIAD

M A G N E T I C S

POWER TRANSFORMERS PC MOUNT

80028 Rev. D

DESCRIPTION : TRIAD power transformers are offered in a wide selection of plug-in types to meet the needs of PC board & solid state power supply designs. These transformers can satisfy power as well as control & instrumentation applications. The transformers are available in single or dual primary & dual center tapped secondary configurations.

HOOK UP					POLARITY			
INPUT	115V AC	TIE	1 TO 3 & 2 TO 4	APPLY TO	1 TO 2	SECONDARY	TIE	OUTPUT
	230V AC	TIE	2 TO 3	APPLY TO	1 TO 4	SERIES	6 TO 7	5 TO 8
						PARALLEL	5 TO 7 & 6 TO 8	5 TO 6

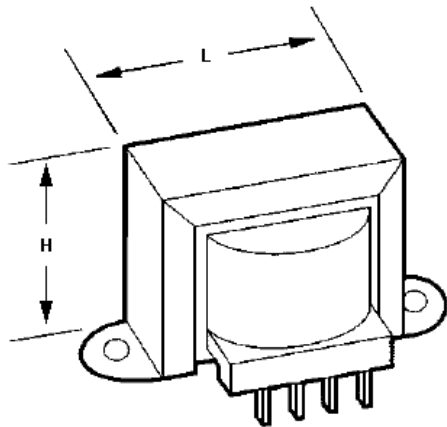


FIGURE A

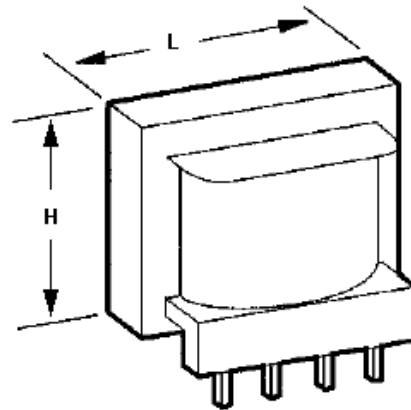


FIGURE B

DUAL PRI. , DUAL SEC.

CT = CENTER TAP

MOUNTING HOLE SIZE 3/16"

TYPE NO.	FIGURE	VA	SECONDARY		DIMENSIONS							WT. OZ
			SERIES	PARALLEL	H	W	D	L	A	B	MW	
F-3132P F-333P F-367P	B	1-1/2	15.0V CT @ 0.1A 30.0V CT @ 0.050A 230.0V CT @ 0.0065A	7.5V @ 0.2A 15.0V @ 0.100A 115.0V @ 0.013A	1-3/16	-	1-1/8	-	13/64	1	-	4.0
F-348XP	A	4-1/2	12.6V CT @ 0.350A	6.3V @ 0.700A	1-3/8	2-3/8	1-1/4	1-5/8	1/4	1-7/64	2	6.5
F-3142XP F-349XP F-350XP F-358XP F-3143XP F-363XP	A	4-1/2	15.0V CT @ 0.3A 16.0V CT @ 0.280A 24.0V CT @ 0.180A 20.0V CT @ 0.225A 30.0V CT @ 0.15A 230.0V CT @ 0.020A	7.5V @ 0.6A 8.0V @ 0.560A 12.0V @ 0.360A 10.0V @ 0.450A 15.0V @ 0.3A 115.0V @ 0.040A	1-7/16	2-3/8	1-1/4	1-5/8	1/4	1-7/64	2	6.5
F-3152XP F-3153XP	A	7-1/2	15.0V CT @ 0.5A 30.0V CT @ 0.25A	7.5V @ 1.0A 15.0V @ 0.5A	1-5/8	2-13/16	1-7/16	1-7/8	1/4	1-5/16	2-3/8	11
F-359XP F-362XP F-365XP F-366XP F-369XP	A	10	24.0V CT @ 0.450A 20.0V CT @ 0.500A 12.6V CT @ 0.800A 16.0V CT @ 0.640A 230.0V CT @ 0.044A	12.0V @ 0.900A 10.0V @ 1.0A 6.3V @ 1.6A 8.0V @ 1.28A 115.0V @ 0.088A	1-5/8	2-13/16	1-7/16	1-7/8	1/4	1-5/16	2-3/8	11
F-370P F-371P F-372P F-373P F-374P F-375P F-376P F-377P F-378P F-379P	B	24	10.0V CT @ 2.4A 12.6V CT @ 2.0A 16.0V CT @ 1.5A 20.0V CT @ 1.2A 24.0V CT @ 1.0A 28.0V CT @ 0.8A 34.0V CT @ 0.7A 40.0V CT @ 0.6A 56.0V CT @ 0.42A 120.0V CT @ 0.2A	5.0V @ 4.8A 6.3V @ 4.0A 8.0V @ 3.0A 10.0V @ 2.4A 12.0V @ 2.0A 14.0V @ 1.6A 17.0V @ 1.4A 20.0V @ 1.2A 28.0V @ 0.84A 60.0V @ 0.4A	1-3/8	-	2-1/4	1-5/8	1/4	2-7/64	-	13.3

TRIAD

M A G N E T I C S

POWER TRANSFORMERS PC MOUNT

80028 Rev. D

TECHNICAL NOTES :

1. The transformers with dual primaries permit use for sale in both foreign & domestic markets
2. HI-pot tested at 1,500 VRMS.
3. Dots on schematic represents polarity

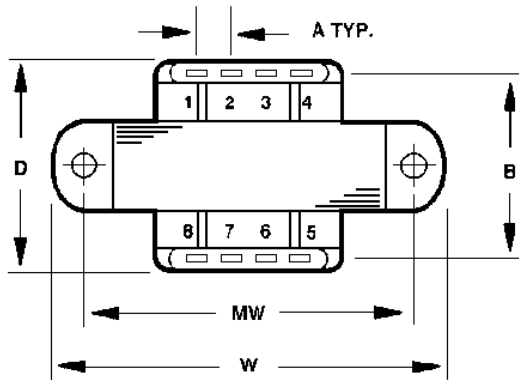
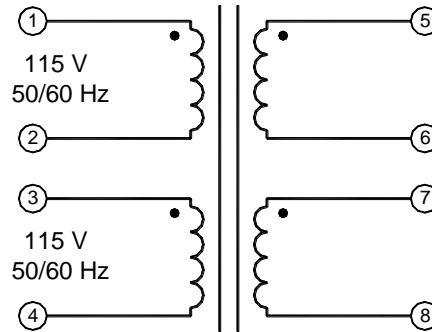
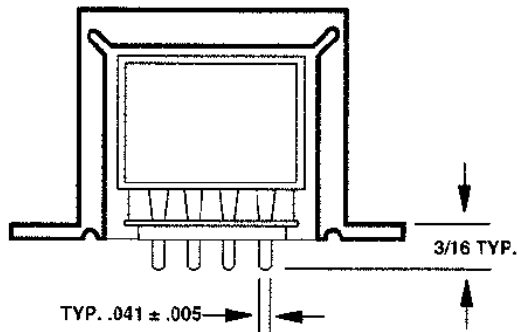


FIGURE A



SPECIFICATIONS
PRIMARY : 115/230 V , 50/60 Hz

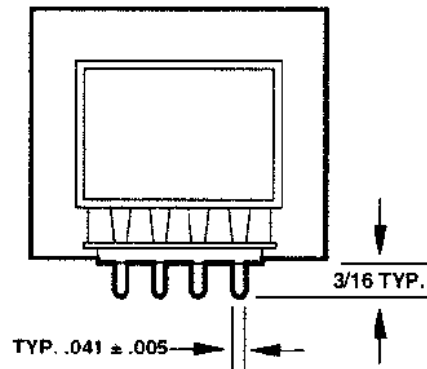


FIGURE B

